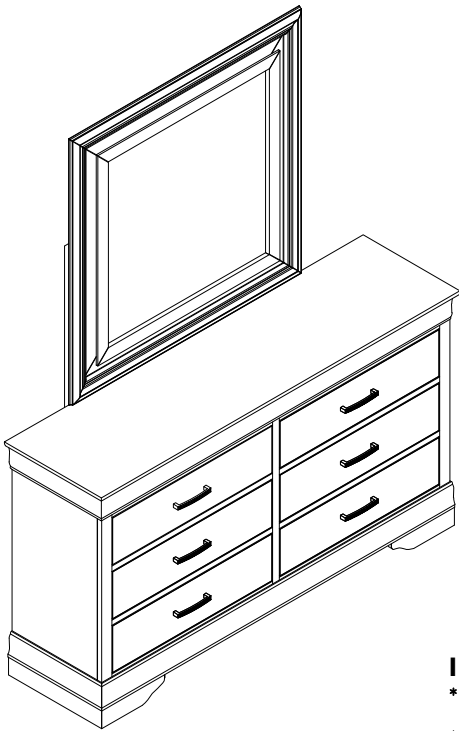


**ASSEMBLY INSTRUCTIONS FOR  
GROUP NO : NORA MR & DR  
DESCRIPTION : MIRROR WITH RGB LED & DRESSER**

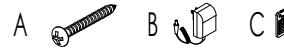


**PARTS LIST**

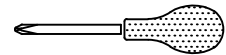
NO	DESCRIPTION	QTY
1	MIRROR	1 PC.
2	SUPPORT RAIL	2 PCS.
3	DRESSER	1 PC.

**HARDWARE LIST**

NO	DESCRIPTION	SIZE	QTY
A	PANHEAD SCREW	M4 x 32mm	8 PCS.
B	ADAPTER		1 PC.
C	REMOTE CONTROL		1 PC.



TOOL REQUIRED (NOT PROVIDED)

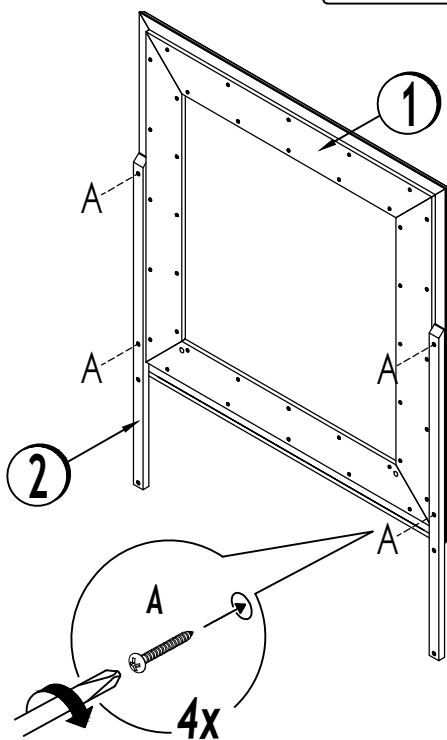


**IMPORTANT NOTE :**

- \* Place all wooden parts on a clean and smooth surface such as a rug or carpet to avoid the parts from being scratched.
- \* Check to be sure that you have all parts and hardware.
- \* Remove all wrapping materials, including staples & packing straps before you start to assemble.
- \* Do not tighten all screws/bolts until all completely assembled.
- \* Keep all hardware parts out of reach of children.

**STEP 1**

**BACK VIEW**



**STEP 2**

**BACK VIEW**

