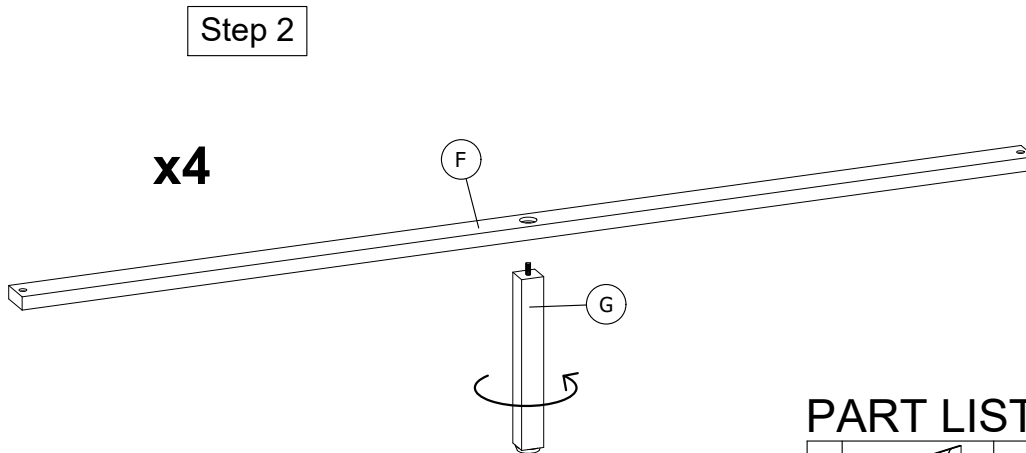
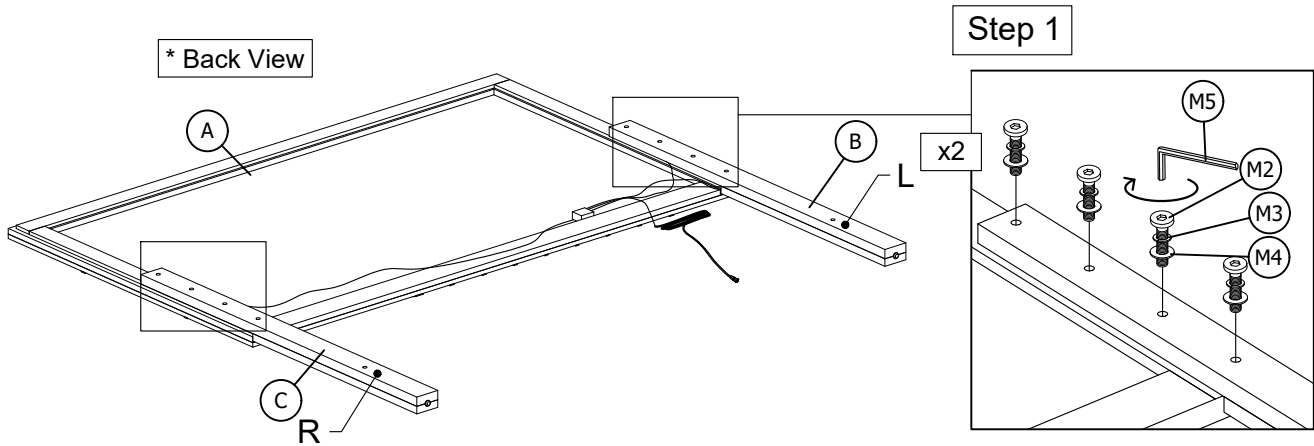


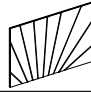


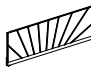
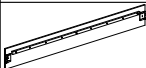


# ASSEMBLY INSTRUCTION FOR

GROUP NO.: NANCY QB  
DESCRIPTION: QUEEN BED








Thank you for purchasing this quality product. Be sure to check all packing material carefully for small Hardware which may have come loose inside the carton during shipment. Identify and count all hardware and compare with the hardware list below



## PART LIST

Part	Image	Description	Quantity
A		HEADBOARD	1PC
B		HEADBOARD LEG LEFT (L)	1PC
C		HEADBOARD LEG RIGHT (R)	1PC
D		FOOTBOARD	1PC
E		SIDE RAIL	2PCS
F		SLAT	4PCS
G		CENTER SUPPORT	4PCS

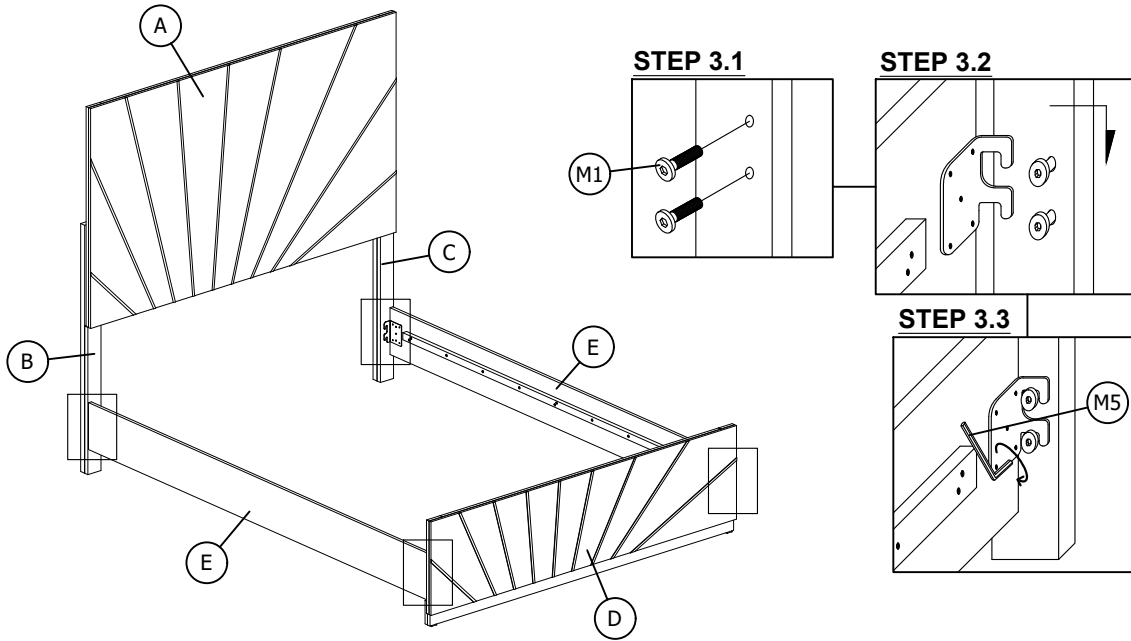
## HARDWARE LIST OF QUEEN BED

Part	Image	Description	Size	Quantity
M1		BOLT	Ø5/16" x 16MM	8PCS
M2		BOLT	Ø5/16" x 50MM	8PCS
M3		SPRING WASHER	Ø5/16" x 14MM	8PCS
M4		FLAT WASHER	Ø5/16" x 22MM	8PCS
M5		ALLEN KEY	5MM	1PC
M6		CSK C/B SCREW	Ø1/4" x 32MM	8PCS
M7		ADAPTOR	-	1PC

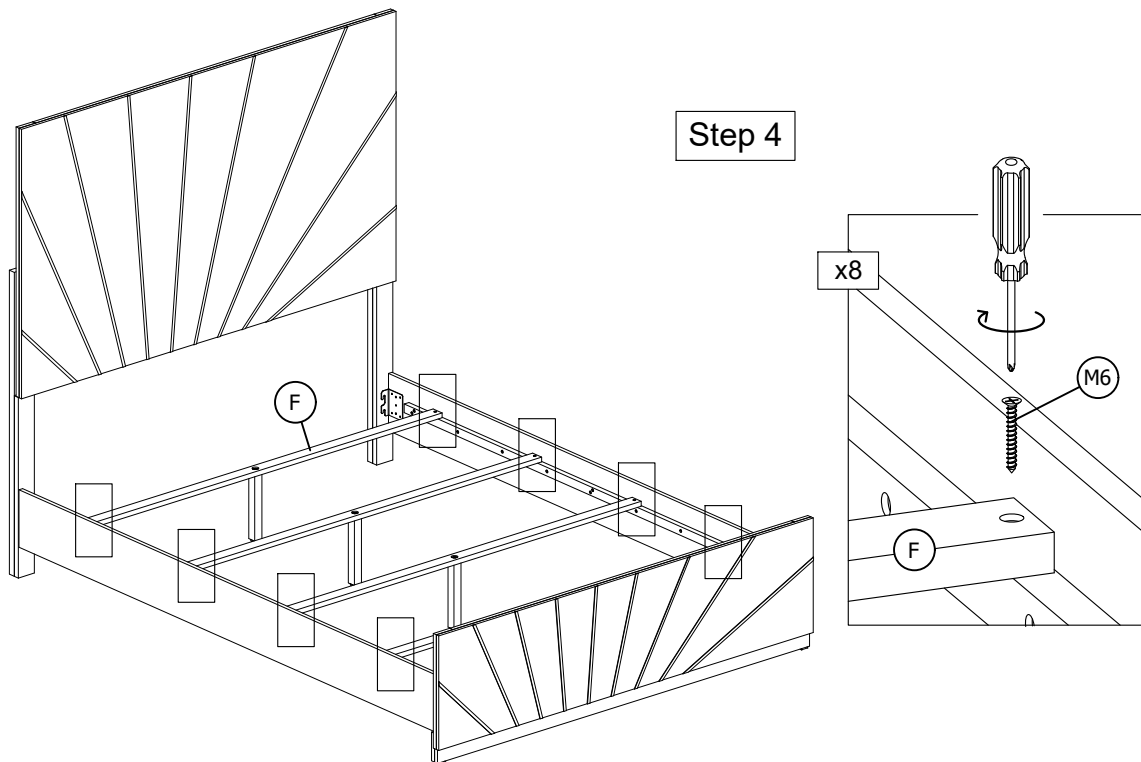
MADE IN MALAYSIA

# ASSEMBLY INSTRUCTION FOR GROUP NO.: NANCY QB DESCRIPTION: QUEEN BED

## Step 3



## Step 4



# ASSEMBLY INSTRUCTION FOR GROUP NO.: NANCY QB DESCRIPTION: QUEEN BED

Step 5

