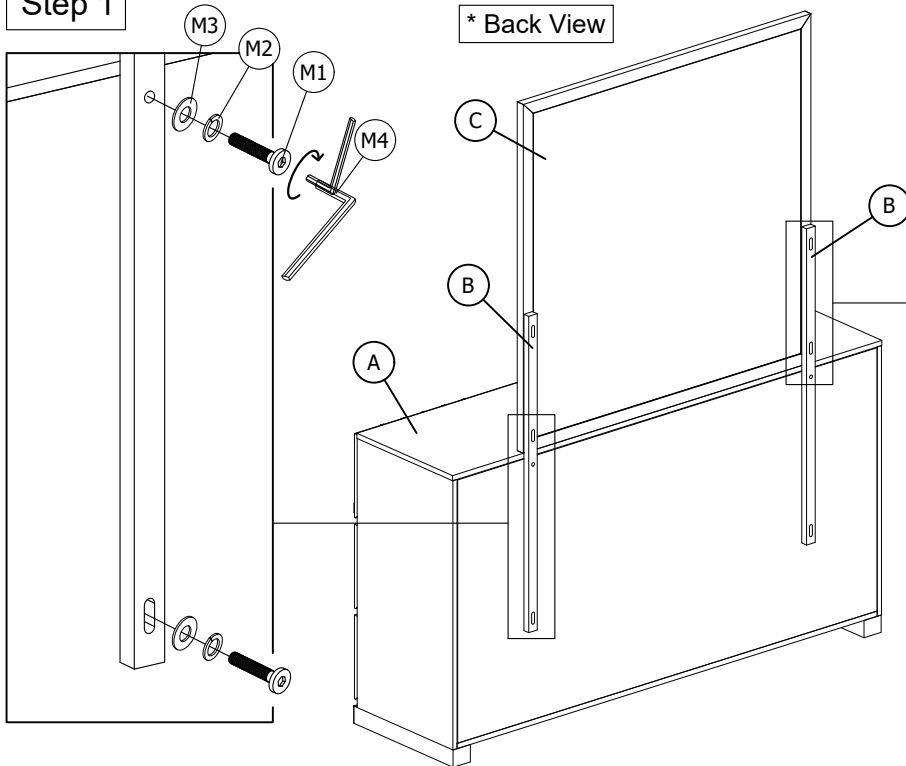


ASSEMBLY INSTRUCTION FOR

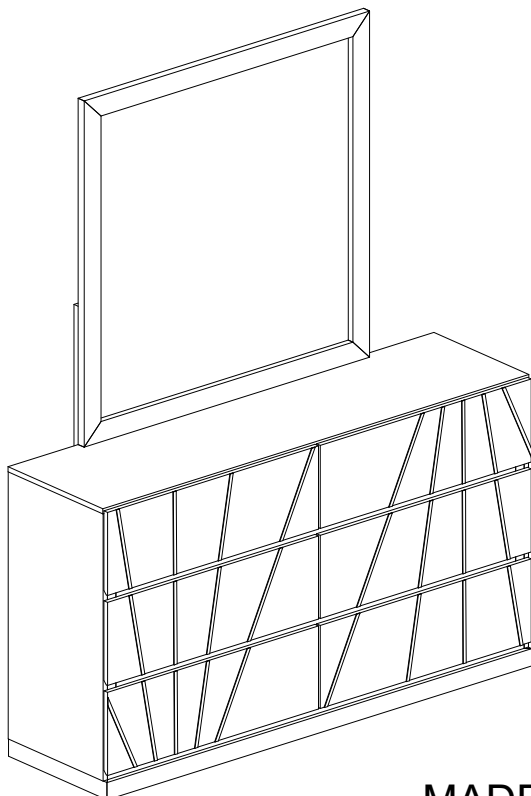
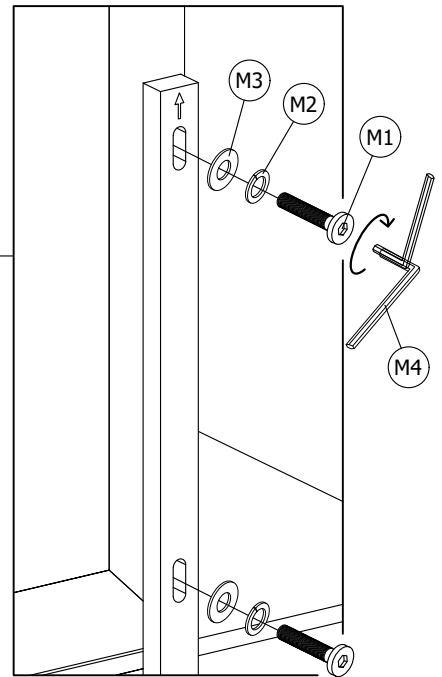
GROUP NO.: NANCY MR
DESCRIPTION: MIRROR

Thank you for purchasing this quality product. Be sure to check all packing material carefully for small Hardware which may have come loose inside the carton during shipment. Identify and count all hardware and compare with the hardware list below

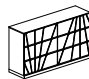
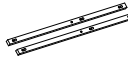
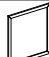
Step 1







Step 2



PART LIST

A		DRESSER	1PC
B		MIRROR SUPPORT	2PCS
C		MIRROR	1PC

HARDWARE LIST OF MIRROR

M1		BOLT	Ø1/4" x 40MM	8PCS
M2		SPRING WASHER	Ø1/4" x 13MM	8PCS
M3		FLAT WASHER	Ø1/4" x 19MM	8PCS
M4		ALLEN KEY	4MM	1PC

MADE IN MALAYSIA