

ASSEMBLY INSTRUCTION

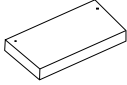

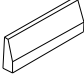

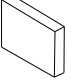

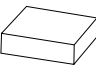
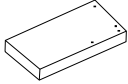

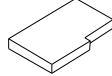

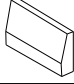
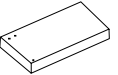
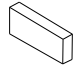
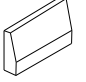

ITEM NO.: LYON SECTIONAL

Thank you for purchasing this quality product.

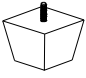






Please read instructions carefully prior to assembly.

Check carefully for small parts which may have come loose during transportation inside all the boxes. Remove from boxes and place all parts and components on soft surface such as carpet, blanket or furniture pad. Identify and verify all parts and hardware as specified below.

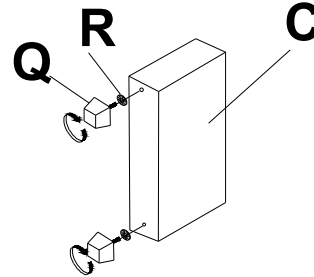
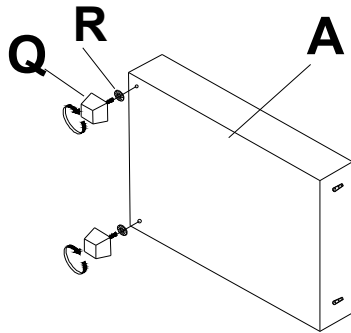
PART LIST

NO.	DRAWING	QTY	DESCRIPTION	NO.	DRAWING	QTY	DESCRIPTION
A		1PC	LAFS SEAT	I		1PC	ALL BACK REST
B		1PC	LAFS BACK REST	J		2PCS	ALL LAFS/RAFC CUSHIONS
C		1PC	LAFS ARM	K		1PC	ALL SEAT CUSHION
D		4PCS	SEAT CUSHION	L		1PC	LAFS SEAT
E		2PCS	LAFS/RAFC CUSHIONS	M		1PC	RAFC SEAT CUSHIONS
F		3PCS	LAFS CUSHIONS	N		1PC	RAFC BACK REST
G		1PC	ALL SEAT	G		1PC	RAFC ARM
H		1PC	ALL BACK REST	P		3PC	CUSHION

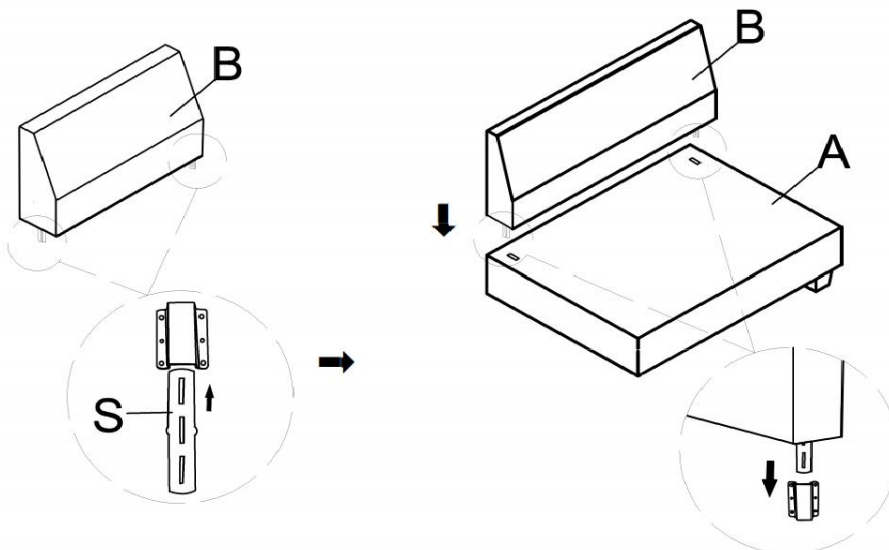
Hardware List For Chest-CH

Q		12PCS	PLASTIC LEG	S		6PCS	BOLT OF METAL
R		12PCS	PLASTIC GASKET	X		1PC	FLAT WASHER Ø ⁵ / ₁₆ "X12MM
Y		1PCS	NUT Ø ⁵ / ₁₆ "X22MM	Z		1PC	BOLT Ø ⁵ / ₁₆ "X90MM
W		1PCS	OPEN WRENCH				

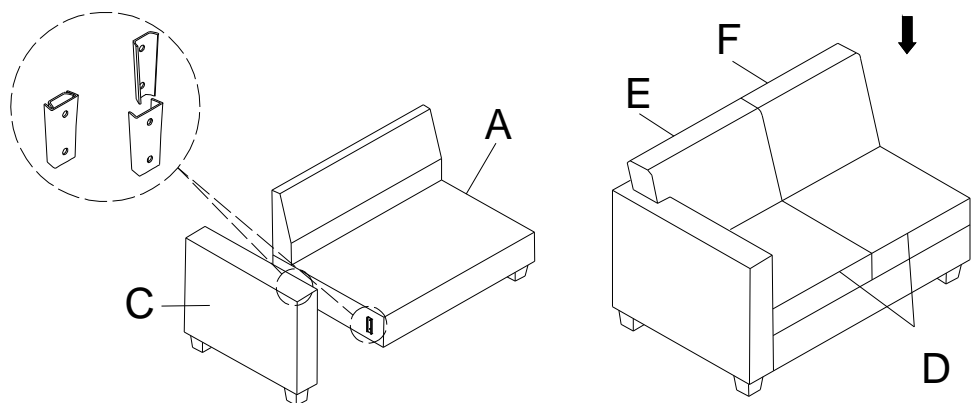
Step1



Step2

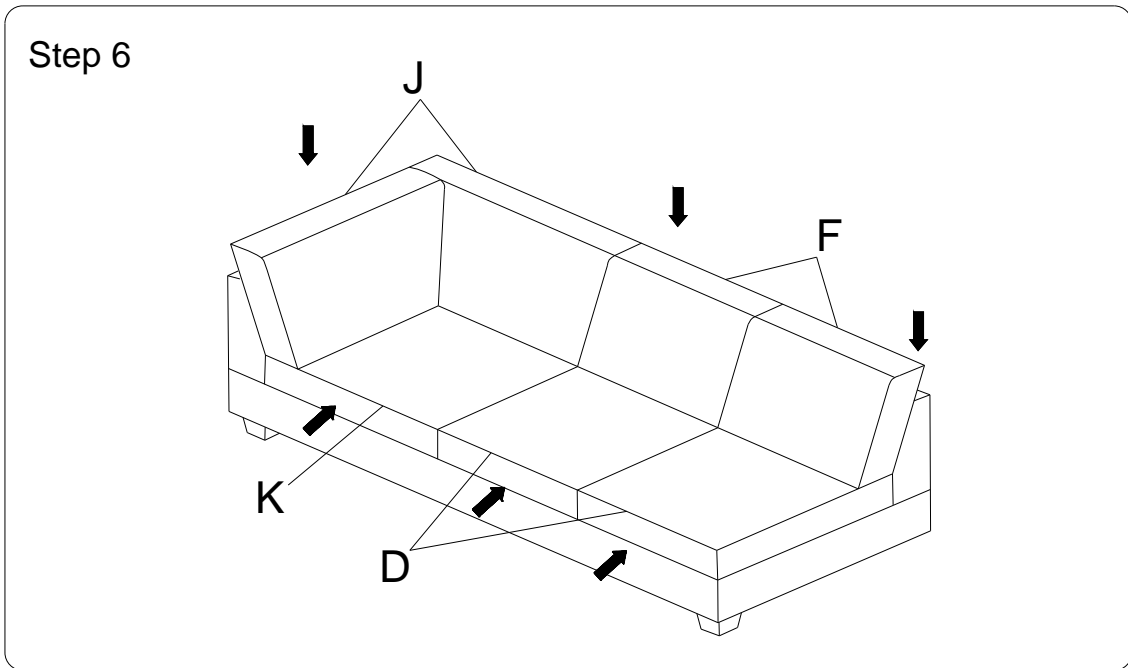
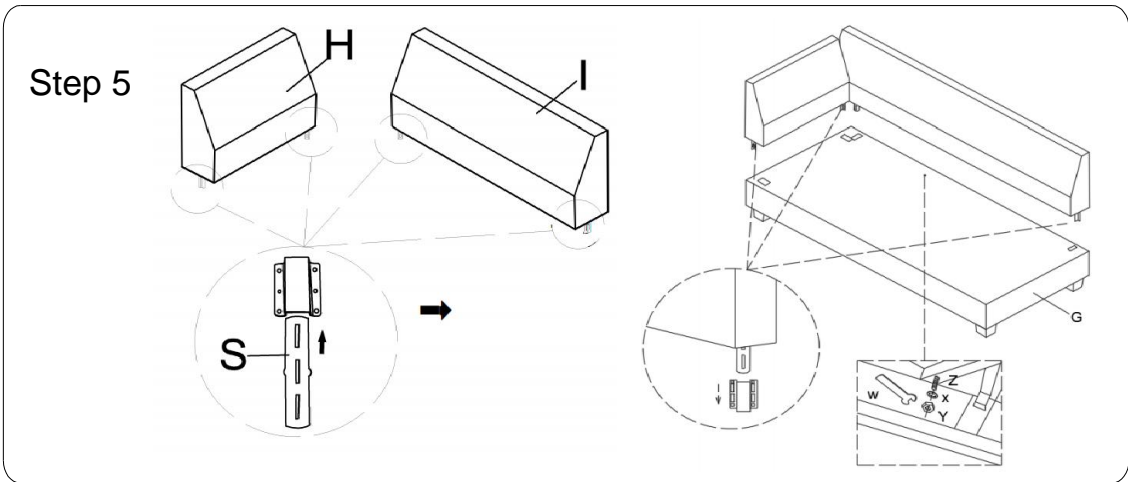
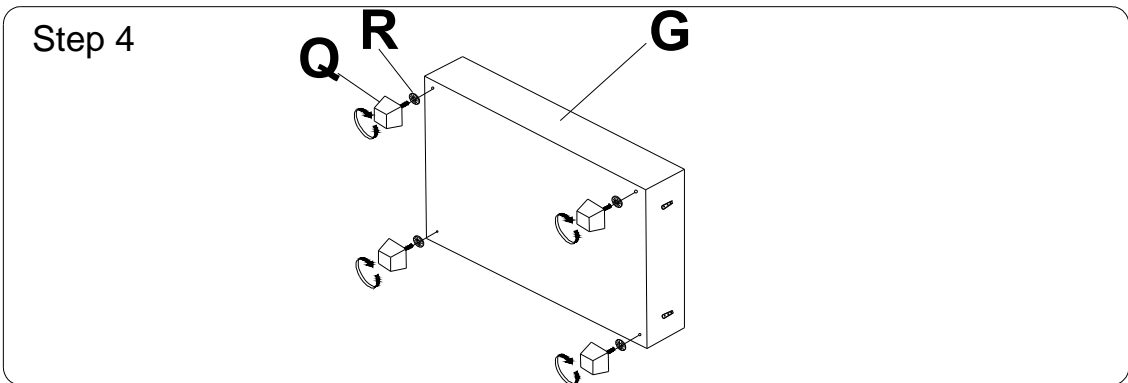


Step3



ASSEMBLY INSTRUCTION

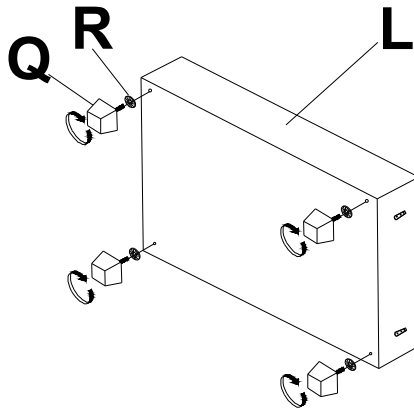
ITEM NO.: LYON SECTIONAL



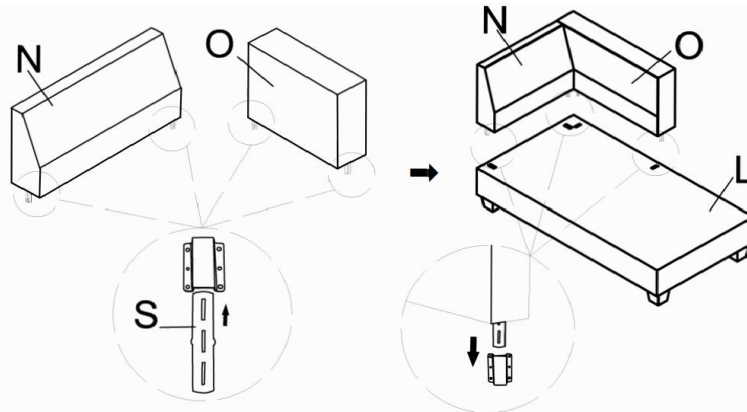
ASSEMBLY INSTRUCTION

ITEM NO.: LYON SECTIONAL

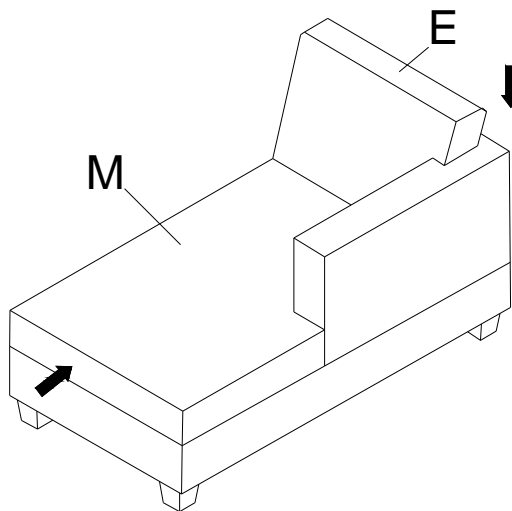
Step 7



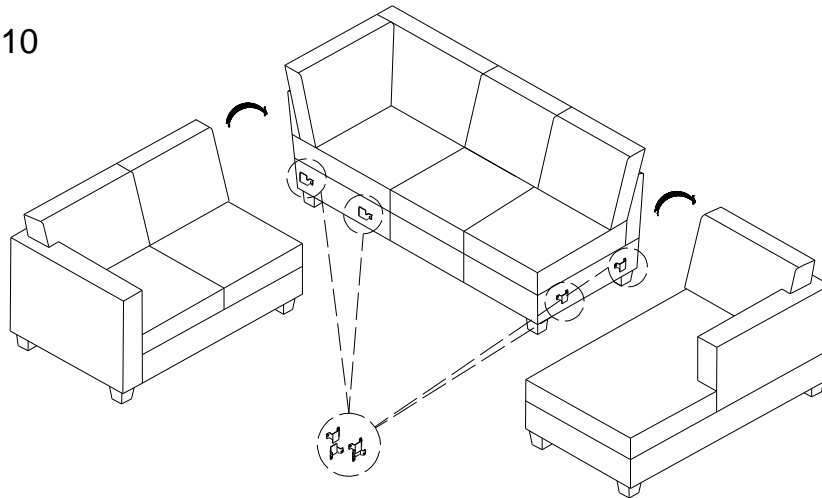
Step 8



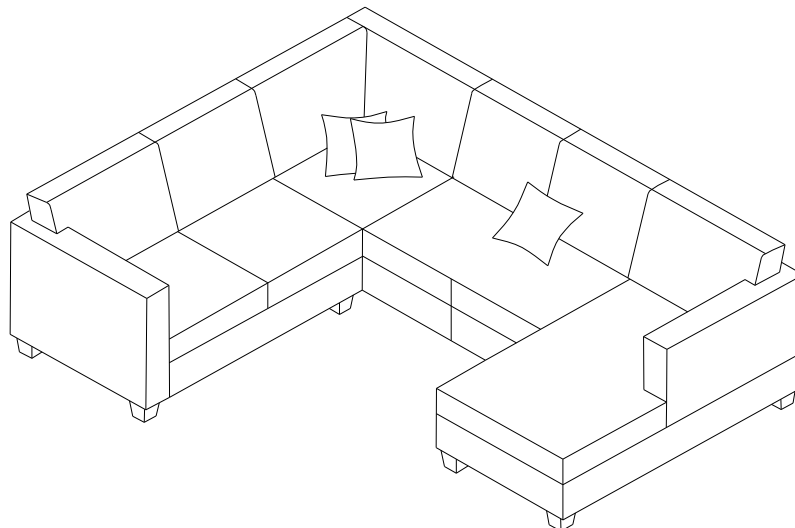
Step 9



Step 10



Step 11



Caution: Please read instructions thoroughly before unpacking assembly parts. Sharp exposed staple tips can cause injury, therefore, for your protection, please remove any exposed staples used in packing.

- 1 We recommend that you should assemble this product with the assistance of another person; this will make assembly easier, and will help to eliminate damage to the product or injury to persons during assembly
- 2 Be sure to check all packing materials carefully for small parts that may have come loose inside the carton during shipment.
- 3 Please do not over tighten screw or bolts
- 4 Please put all parts on a non-abrasive floor before assembly, and follow the assembly steps to assemble your newly purchased product correctly and efficiently.
Do not allow children to climb on furniture.
Do not place television sets on top of chest, door chest, and/or dressers.