

ASSEMBLY INSTRUCTION

GROUP NO.: LUCY-NS

DESCRIPTION : NIGHT STAND

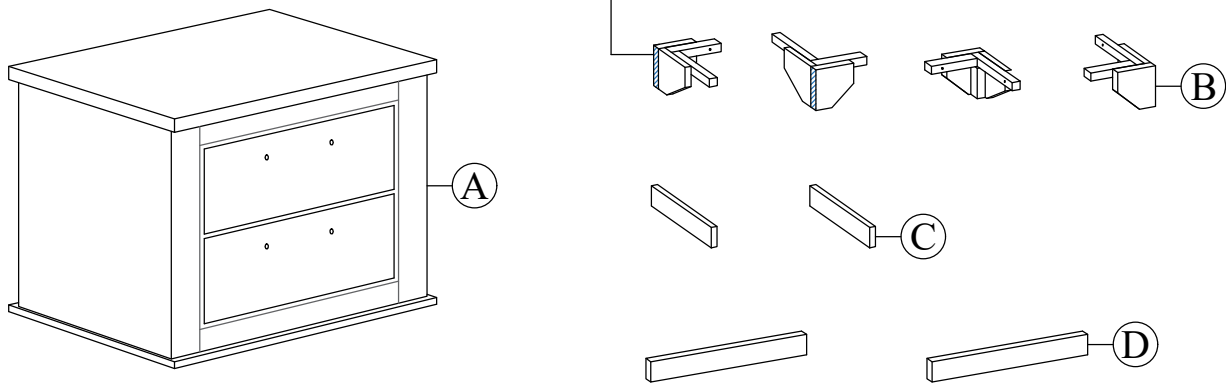
www.FurnitureNearMe.us

1) CSK CB M4 x 30mm 24 PCS	2) Handle 2 PCS	 Thru Head Machine Screw M4 x 16mm 4 PCS	3) L Bracket 2 PCS	 CSK CB M4 x 16mm 8 PCS	4) Leg Stud 4 PCS
---	---------------------------	---	------------------------------	----------------------------------	-----------------------------

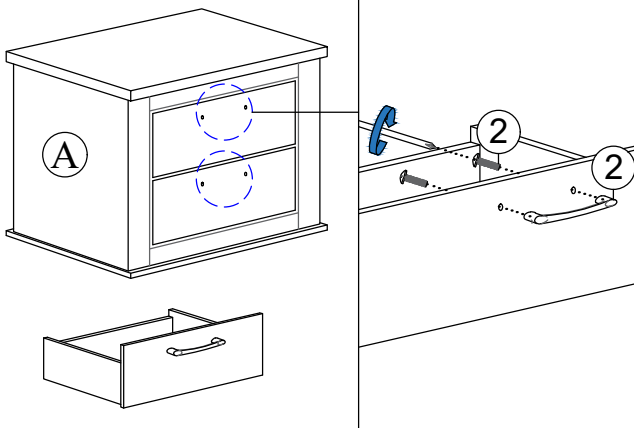
Caution: Please read instructions thoroughly before unpacking assembly parts. Sharp, exposed staple tiep can cause injury, therefore, for your protection, please remove any exposed staple used in packing.

1. We recommend that you should assemble this product with the assistance of another person;
2. Be sure to check all packing materials carefully for small parts that may have come loose inside the carton during shipment.
3. Please put all parts on a non-abrasive floor before assembly, and follow the assembly, and follow the assembly step to assemble your newly purchased product correctly and efficiently.

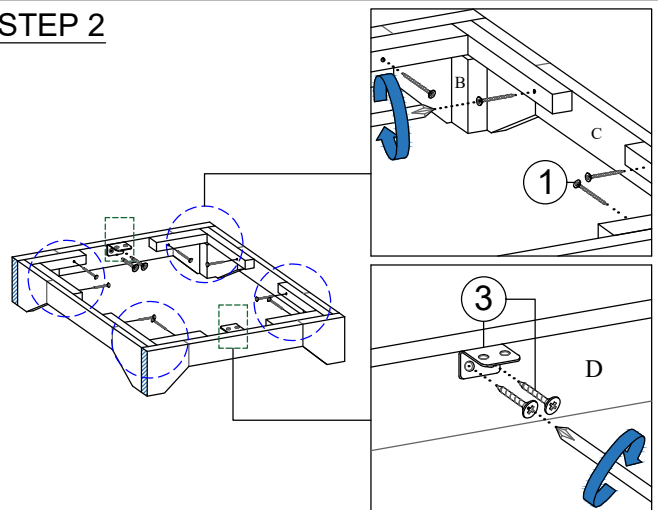
PVC EDGE BANDING



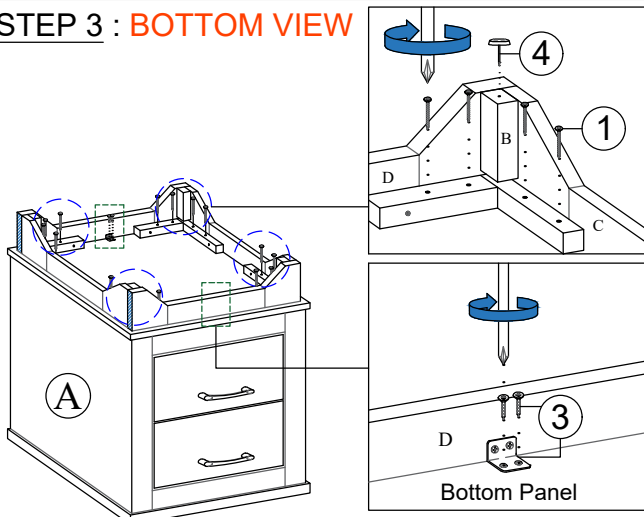
STEP 1



STEP 2



STEP 3 : BOTTOM VIEW



FULLY ASSEMBLED

