





ASSEMBLY INSTRUCTIONS FOR GROUP NO : LUNA MR & DR DESCRIPTION : MIRROR WITH DRESSER

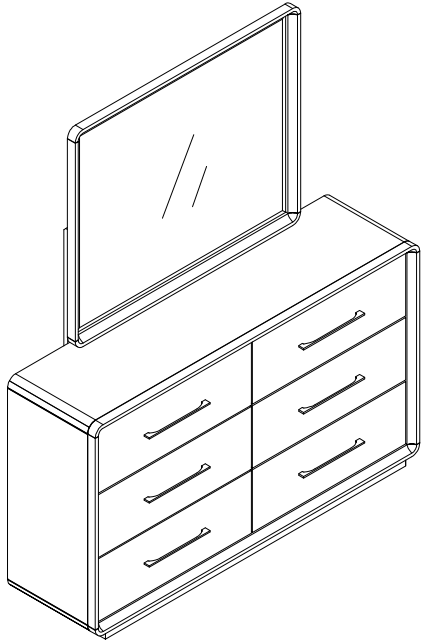
PARTS LIST

NO	DESCRIPTION	QTY
1	MIRROR	1 PC.
2	SUPPORT RAIL	2 PCS.
3	DRESSER	1PC.

HARDWARE LIST

NO	DESCRIPTION	SIZE	QTY
A	JCBC SCREW	M6 x 35mm	8 PCS.
B	SPRING WASHER	M8	8 PCS.
C	FLAT WASHER	M8 x 18mm	8 PCS.
D	ALLEN KEY	M4	1 PC.

A

B

C

D


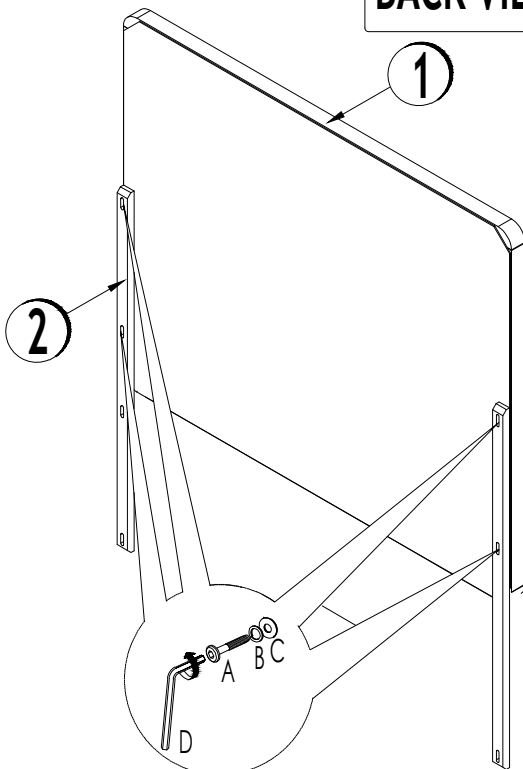


IMPORTANT NOTE :

- * Place all wooden parts on a clean and smooth surface such as a rug or carpet to avoid the parts from being scratched.
- * Check to be sure that you have all parts and hardware.
- * Remove all wrapping materials, including staples & packing straps before you start to assemble.
- * Do not tighten all screws/bolts until all completely assembled.
- * Keep all hardware parts out of reach of children.

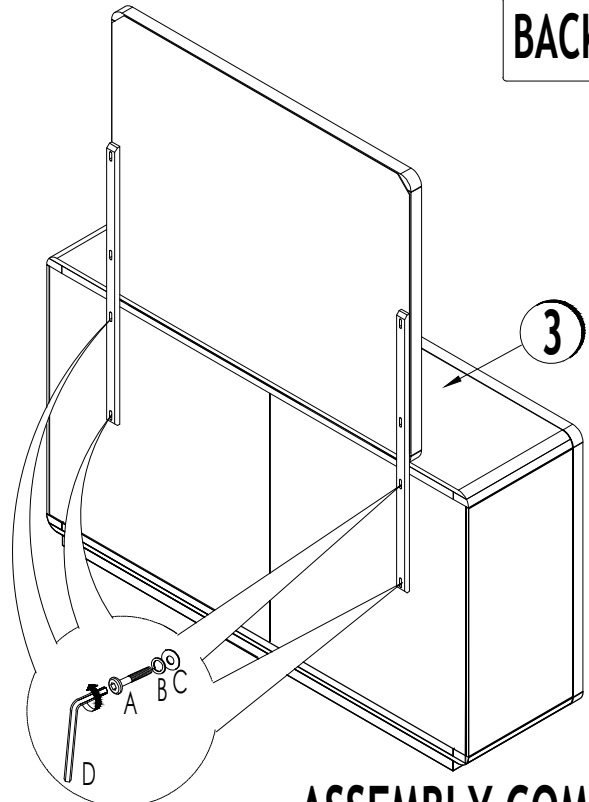
STEP 1

BACK VIEW



STEP 2

BACK VIEW



ASSEMBLY COMPLETED