

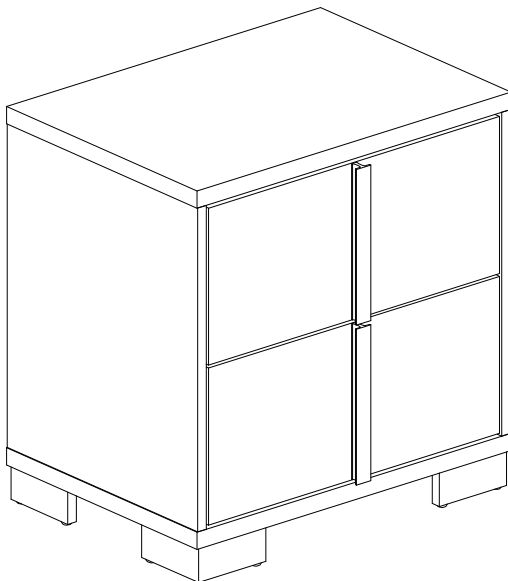
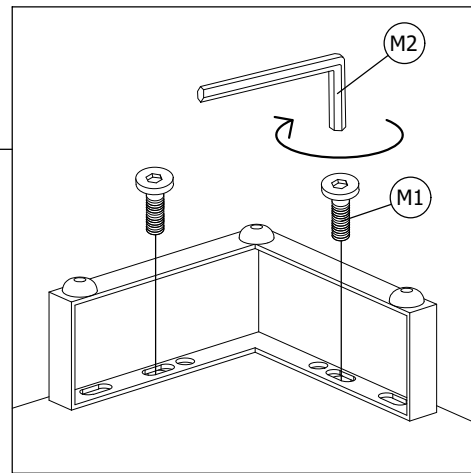
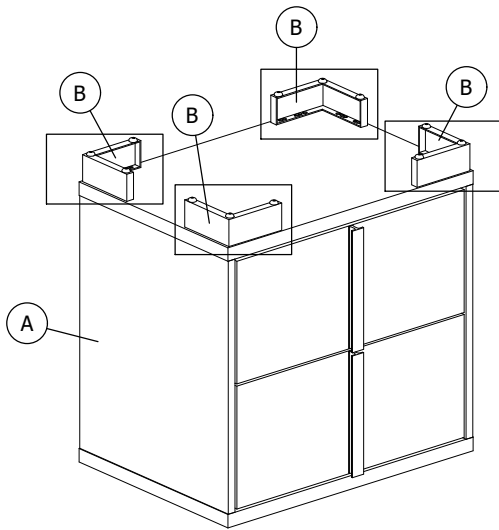
ASSEMBLY INSTRUCTION FOR

GROUP NO.: JULIET WH NS



DESCRIPTION: NIGHTSTAND

Thank you for purchasing this quality product. Be sure to check all packing material carefully for small Hardware which may have come loose inside the carton during shipment. Identify and count all hardware and compare with the hardware list below



Step 1



PART LIST

A		NIGHTSTAND	1PC
B		METAL LEG	4PCS

HARDWARE LIST OF NIGHTSTAND

M1		BOLT	Ø1/4" x 16MM	8PCS
M2		ALLEN KEY	4MM	1PC