

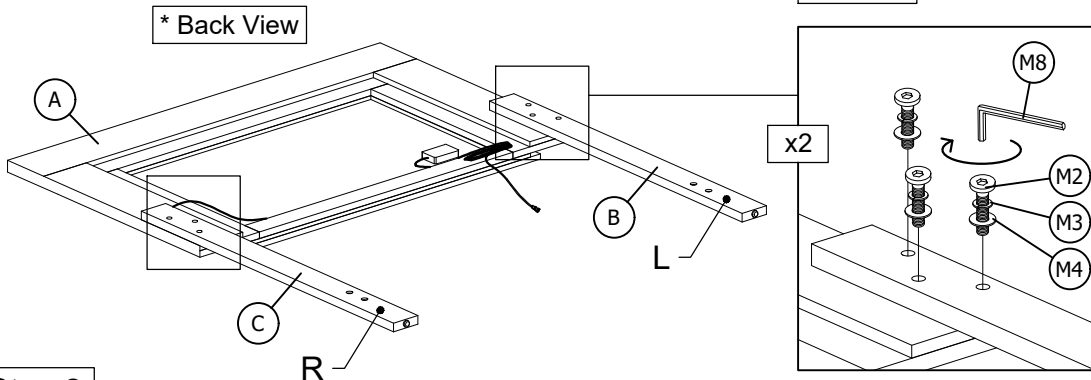
ASSEMBLY INSTRUCTION FOR

GROUP NO.: JULIET WH KB

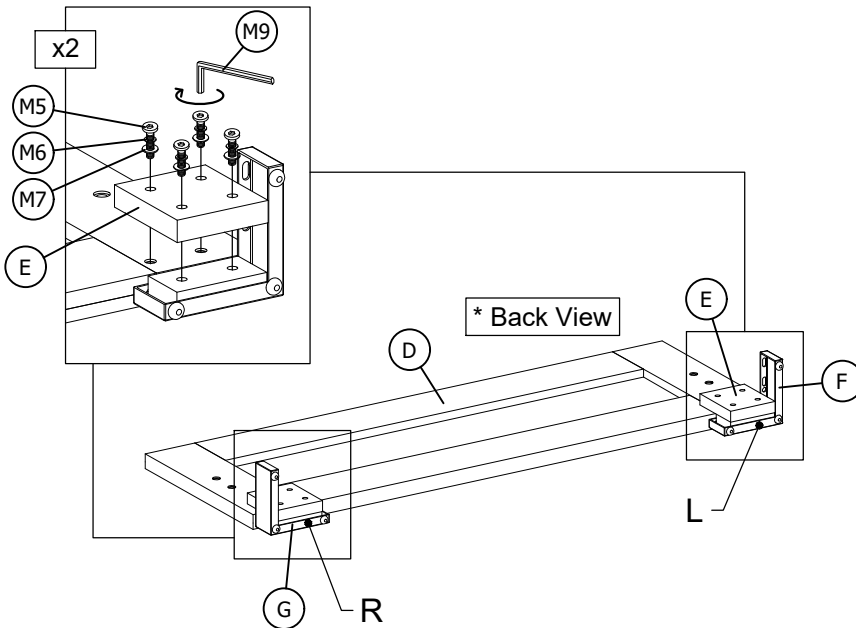
DESCRIPTION: KING BED

Thank you for purchasing this quality product. Be sure to check all packing material carefully for small Hardware which may have come loose inside the carton during shipment. Identify and count all hardware and compare with the hardware list below

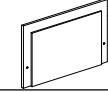
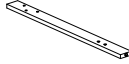
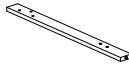
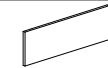
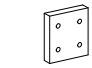
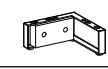
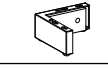
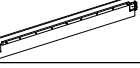

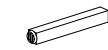
Step 1



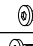
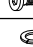

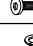
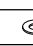

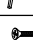
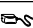



Step 2



PART LIST

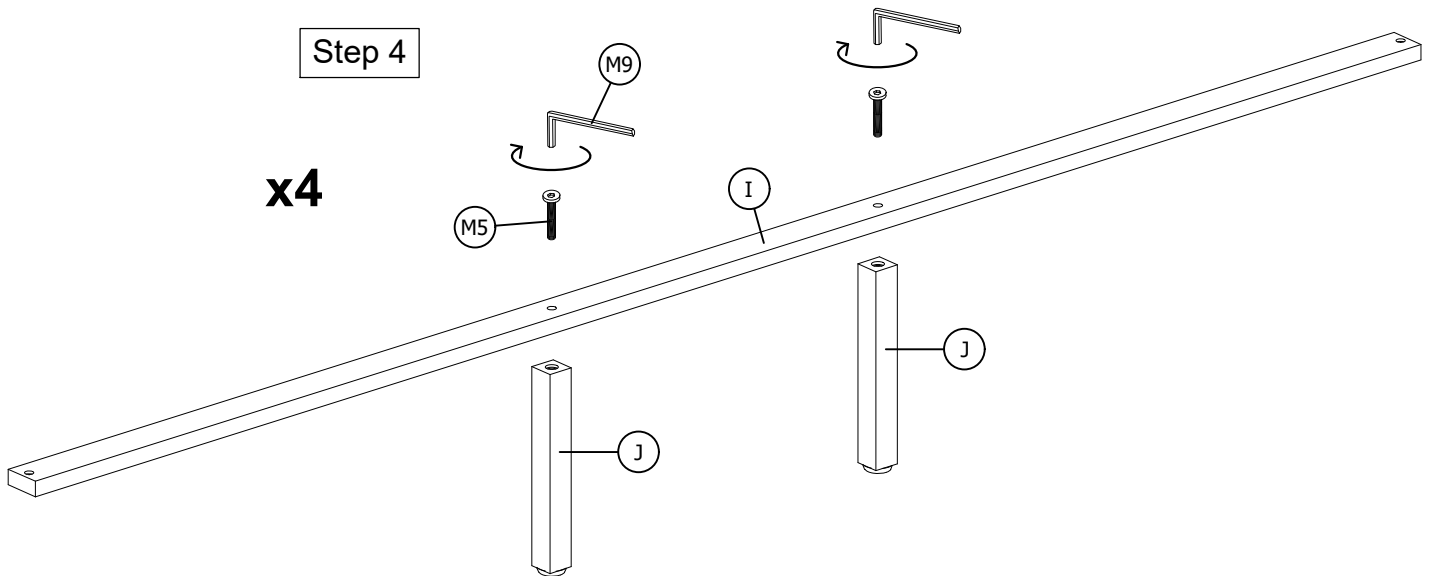
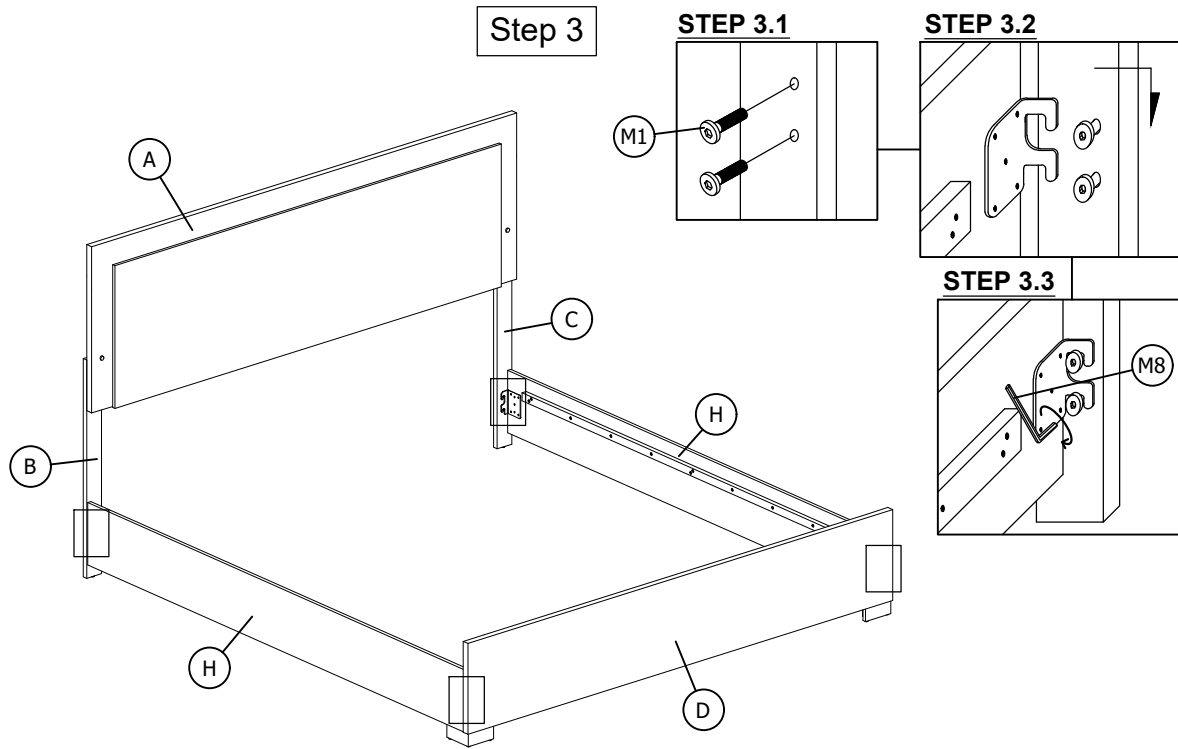
Part No.	Image	Description	Quantity
A		HEADBOARD	1PC
B		HEADBOARD LEG LEFT (L)	1PC
C		HEADBOARD LEG RIGHT (R)	1PC
D		FOOTBOARD	1PC
E		FOOTBOARD SUPPORT	2PCS
F		METAL LEG LEFT (L)	1PC
G		METAL LEG RIGHT (R)	1PC
H		SIDE RAIL	2PCS
I		SLAT	4PCS
J		CENTER SUPPORT	8PCS

HARDWARE LIST OF KING BED

Part No.	Image	Description	Size	Quantity
M1		BOLT	Ø5/16" x 16MM	8PCS
M2		BOLT	Ø5/16" x 35MM	6PCS
M3		SPRING WASHER	Ø5/16" x 14MM	6PCS
M4		FLAT WASHER	Ø5/16" x 22MM	6PCS
M5		BOLT	Ø1/4" x 35MM	16PCS
M6		SPRING WASHER	Ø1/4" x 13MM	8PCS
M7		FLAT WASHER	Ø1/4" x 19MM	8PCS
M8		ALLEN KEY	5MM	1PC
M9		ALLEN KEY	4MM	1PC
M10		CSK C/B SCREW	Ø1/4" x 32MM	8PCS
M11		ADAPTOR	-	1PC

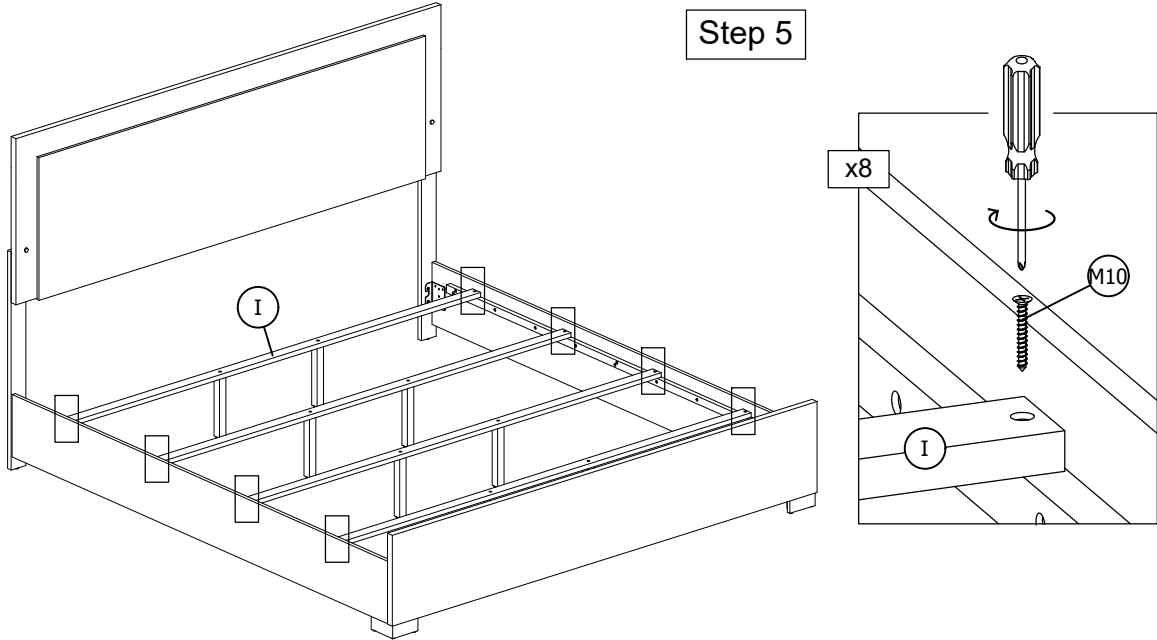
MADE IN MALAYSIA

ASSEMBLY INSTRUCTION FOR GROUP NO.: JULIET WH KB DESCRIPTION: KING BED

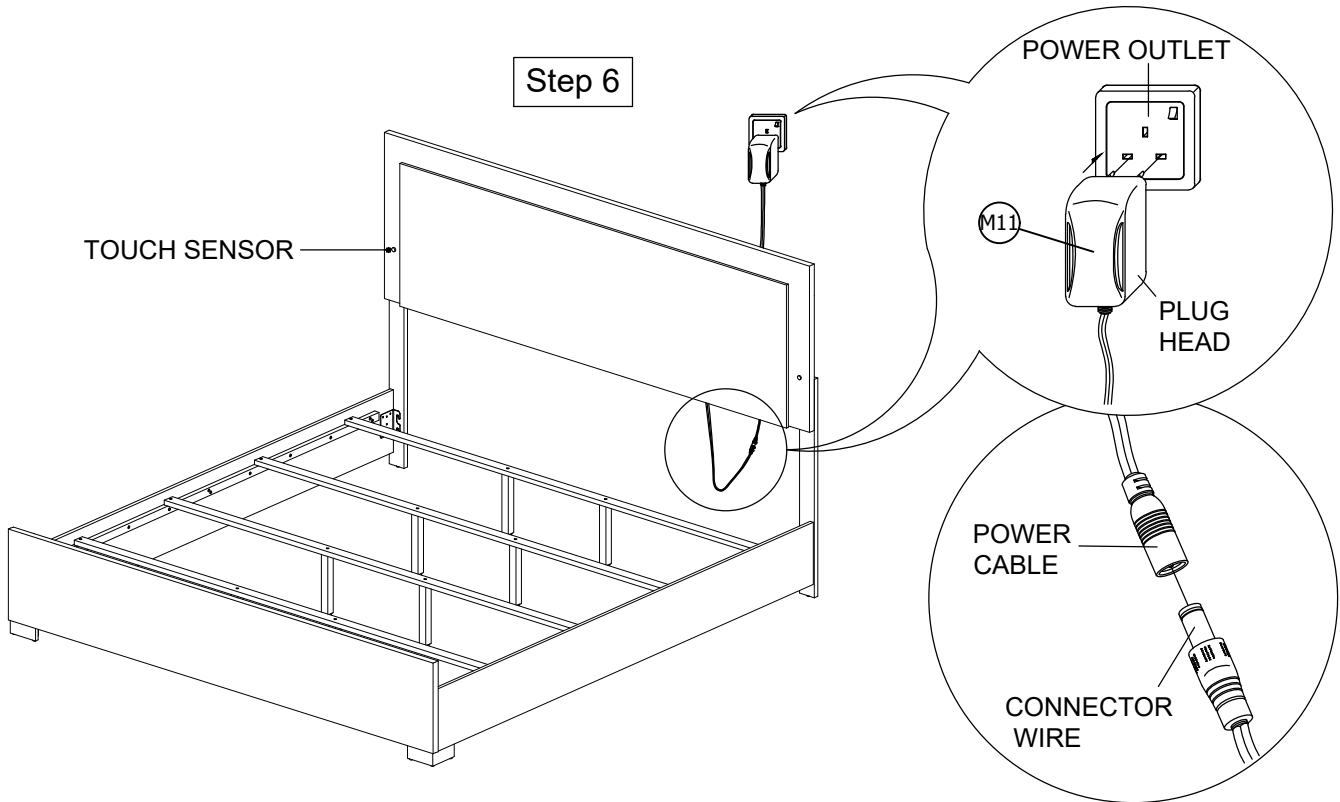


ASSEMBLY INSTRUCTION FOR GROUP NO.: JULIET WH KB DESCRIPTION: KING BED

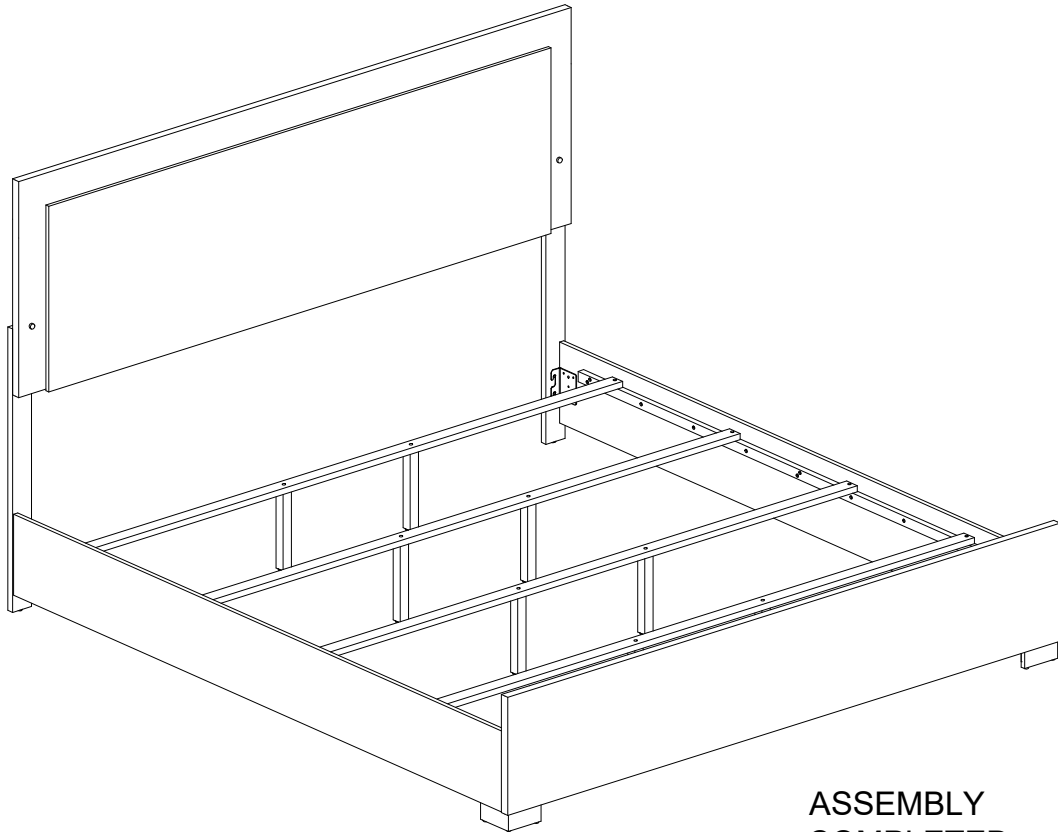
Step 5



Step 6



ASSEMBLY INSTRUCTION FOR
GROUP NO.: JULIET WH KB
DESCRIPTION: KING BED



ASSEMBLY
COMPLETED