

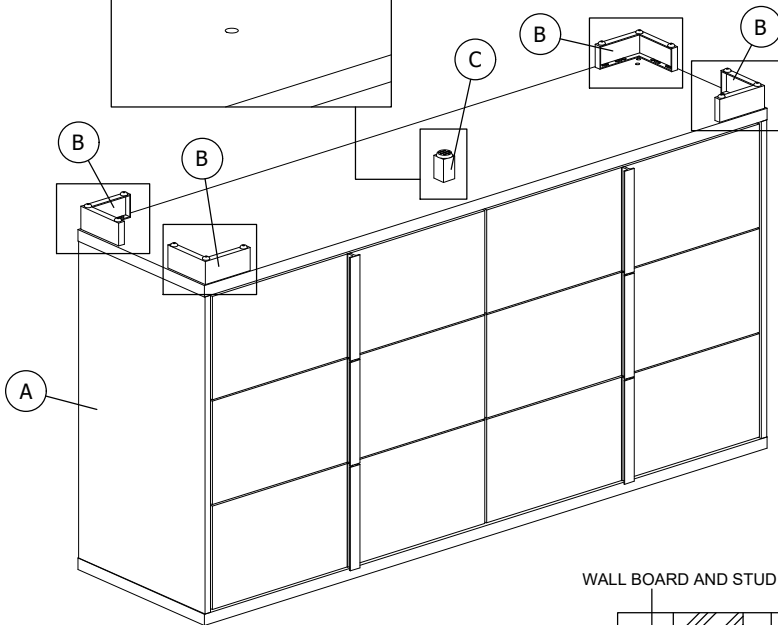
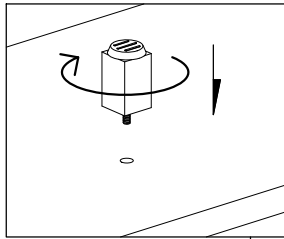
ASSEMBLY INSTRUCTION FOR

GROUP NO.: JULIET WH DR

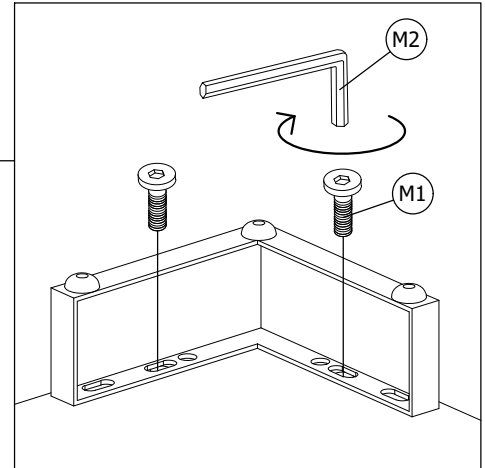
DESCRIPTION: DRESSER

Thank you for purchasing this quality product. Be sure to check all packing material carefully for small Hardware which may have come loose inside the carton during shipment. Identify and count all hardware and compare with the hardware list below

Step 2

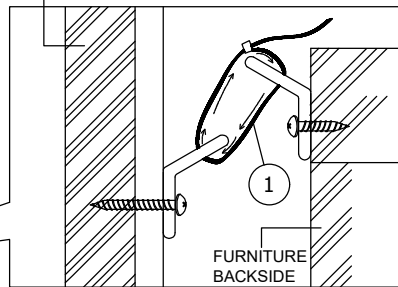


Step 1



WALL BOARD AND STUD

FURNITURE TOP



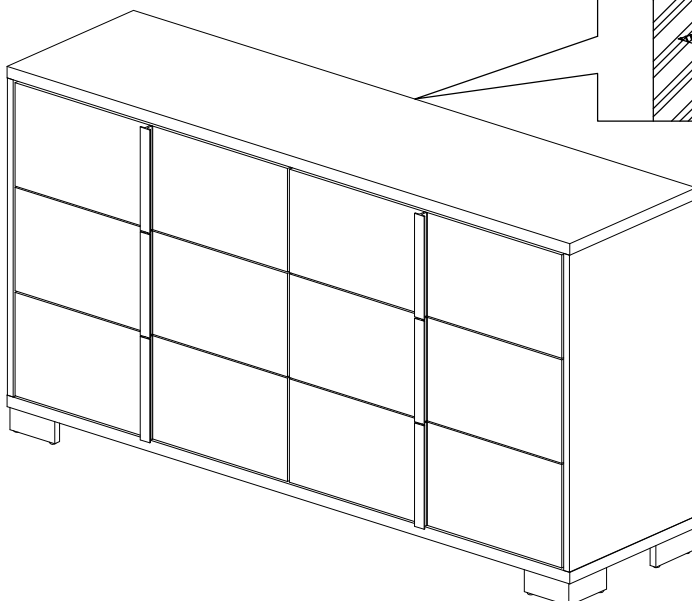
PART LIST

A		DRESSER	1PC
B		METAL LEG	4PCS
C		CENTER SUPPORT	1PC

HARDWARE LIST OF DRESSER

M1		BOLT	Ø1/4" x 16MM	8PCS
M2		ALLEN KEY	4MM	1PC

1		TIPPING HARDWARE	1PC
---	--	------------------	-----



MADE IN MALAYSIA