








ASSEMBLY INSTRUCTIONS

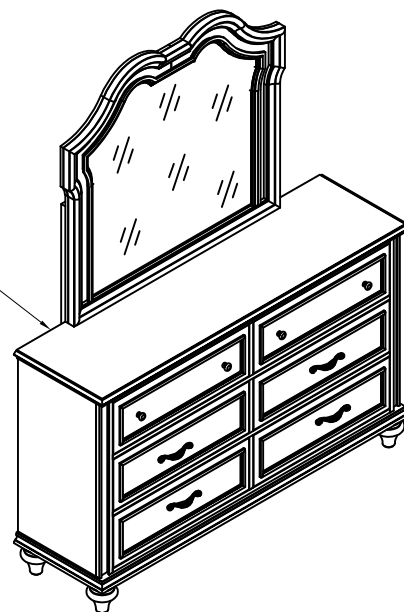
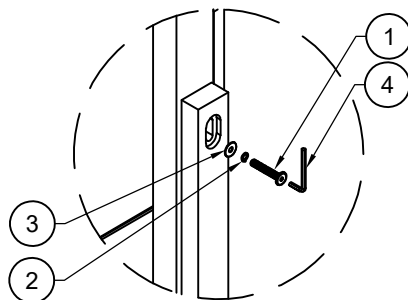
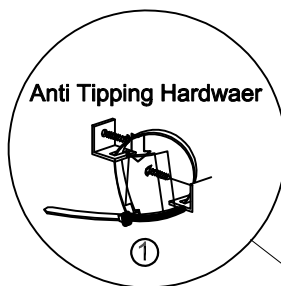
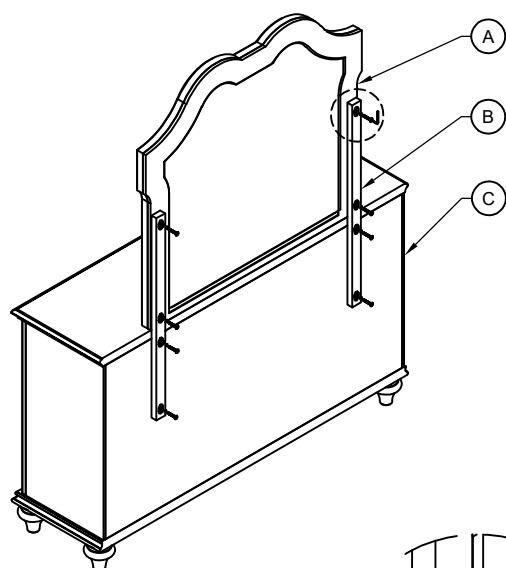
MIRROR - MR

Caution: Please read instructions thoroughly before unpacking assembly parts. Sharp exposed staple tips can cause injury, therefore, for your protection, please remove any exposed staples used in packing.

- 1 We recommend that you should assemble this product with the assistance of another person; this will make assembly easier, and will help to eliminate damage to the product or injury to persons during assembly
 - 2 Be sure to check all packing materials carefully for small parts that may have come loose inside the carton during shipment.
 - 3 Please do not over-tighten screws or bolts
 - 4 Please put all parts on a non-abrasive floor before assembly, and follow the assembly steps to assemble your newly purchased product correctly and efficiently
- . Do not allow children to climb on furniture.
 - . Do not place television sets on top of chest, door chest, and/or dressers.
 - . Please place heaviest objects on the lowest drawers.
 - . Please have no more than one drawer open at a time.

No	Part List	Q.ty	No	Hardware List	Q.ty
A		1	①	 Bolt (Ø1/4" x 38mm)	8
			②	 Spring washer (Ø1/4"x13x1.2)	8
			③	 Flat washer (Ø1/4"x19x2)	8
			④	 Allen key M4xL100	1
B		2			
C		1			

Remark: there is a tip restraint kit provided on the back of this product. please read the directions thoroughly and install immediately when placed in home



Assembly Completed