

# ASSEMBLY INSTRUCTIONS

DESCRIPTION : KING HEADBOARD & FOOTBOARD, 4+8 /  
QUEEN/KING HEADBOARD LEGS / QUEEN/KING SIDE RAILS

MODEL : EMMA-KHB/KFB + EMMA-Q/K  
HBL + EMMA-Q/K RL

**NOTE :**







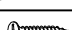

MUST TIGHTEN SCREWS PERIODICALLY WITH USE SCREW WILL  
BECOME LOOSE. CHECK TIGHTNESS OF ALL SCREW EVERY 6-8 WEEKS.

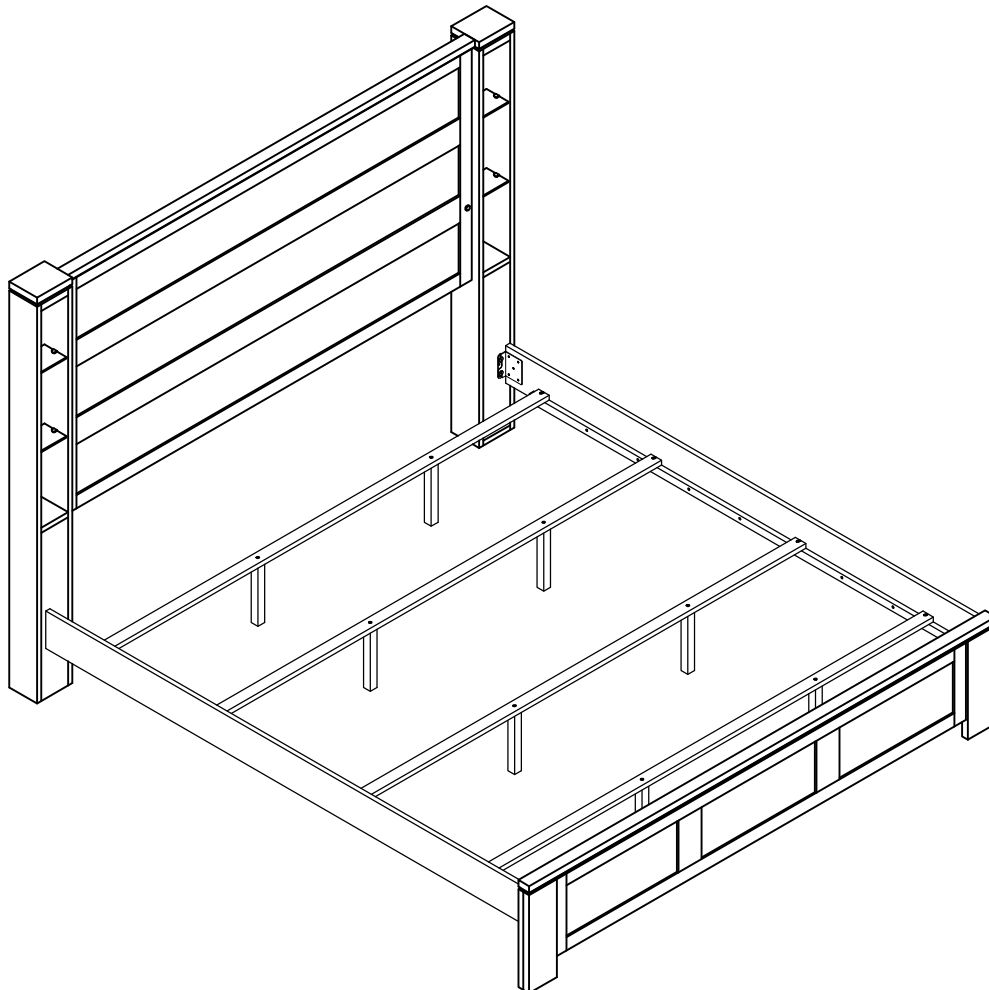
REVISION : B

Component List		
Headboard & Footboard		
No	Descriptions	Qty
A	Headboard Panel	1
B	Footboard Panel	1

Component List		
Post set		
No	Descriptions	Qty
C	Headboard Post (L/R)	2

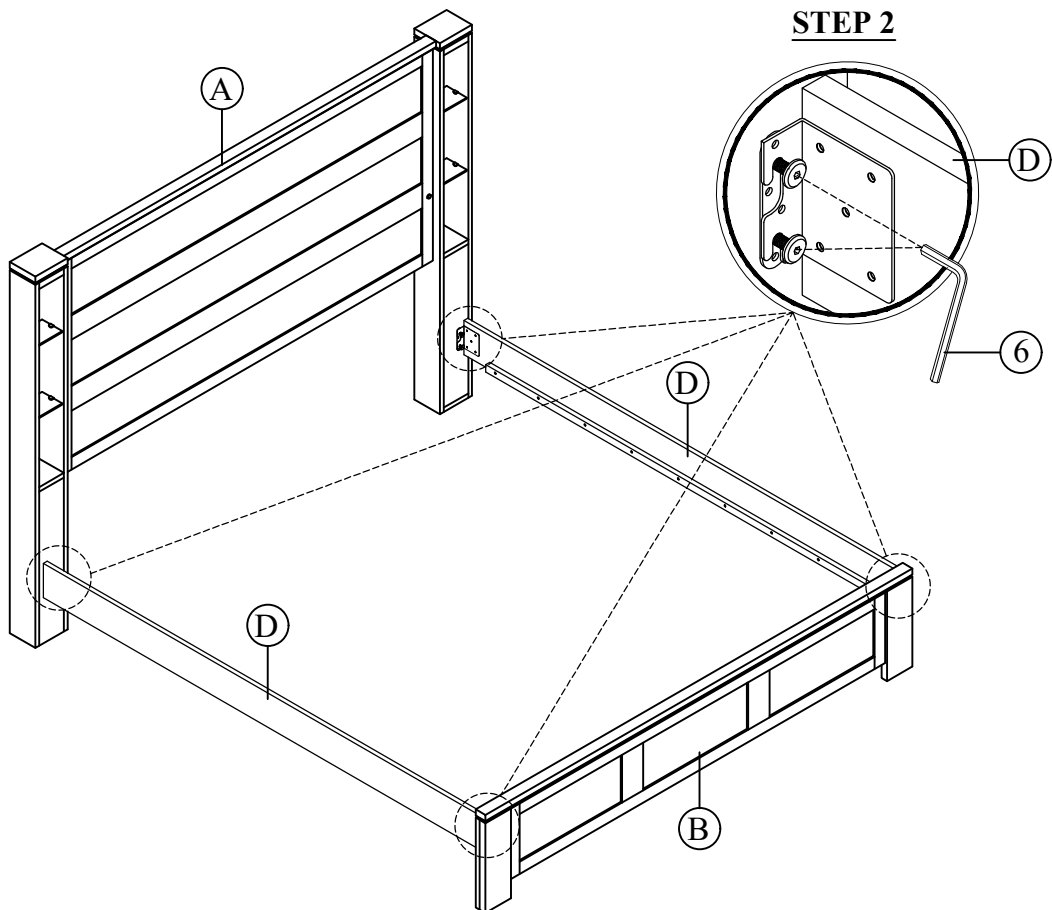
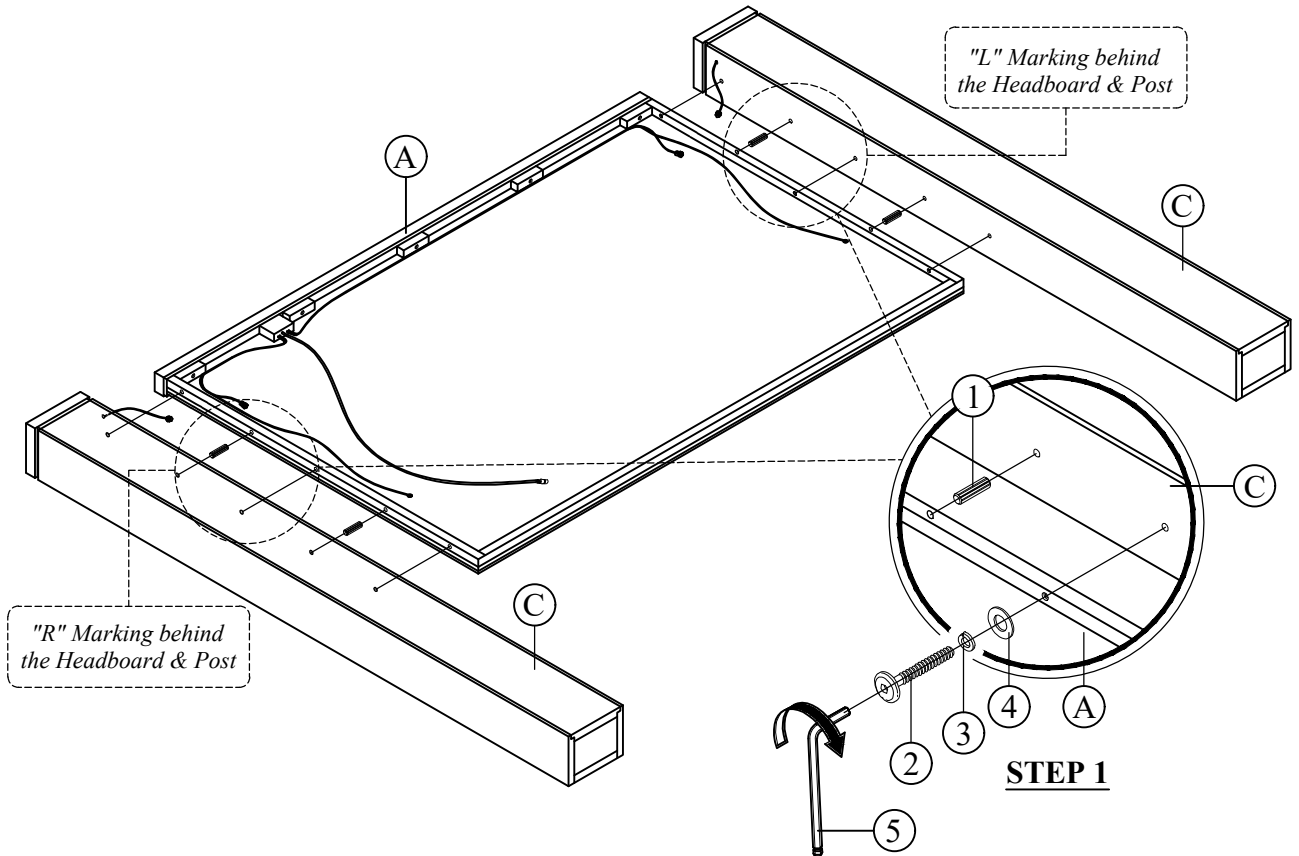
Component List		
Side Rail		
No	Descriptions	Qty
D	Side Rail	2
E	Slat	4
F	Slat Support	8

Hardware List In Headboard & Footboard			
No	Descriptions		Qty
1	Wood Dowel 10mm x 30mm		4
2	JCBC Screw M6 x 35mm		6
3	Spring Washer Ø1/4"		6
4	Flat Washer Ø1/4" x 20mm		6
5	L Key M4 x 100mm		1
6	L Key M5		1
7	CSK M4 x 32mm		8
8	Dc Adapter		1



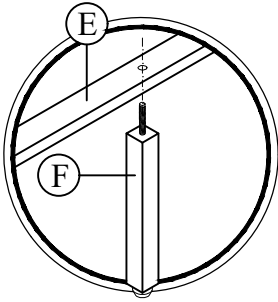
# ASSEMBLY INSTRUCTIONS

STEP 1 : Insert wood dowel (1) to the pre-drilled hole of headboard panel (A) and fix with the headboard post (C) by using JCBC Screw M6 x 35mm (2), springwasher (3) and flat washer (4) through the pre-drilled hole of headboard panel (A) then tighten by using Allen key (5).

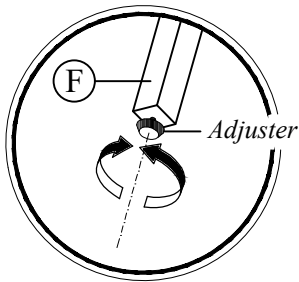
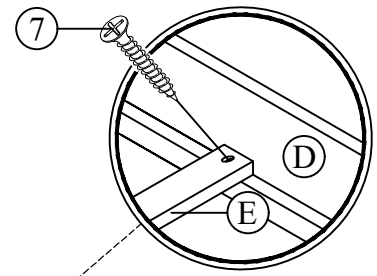


# ASSEMBLY INSTRUCTIONS

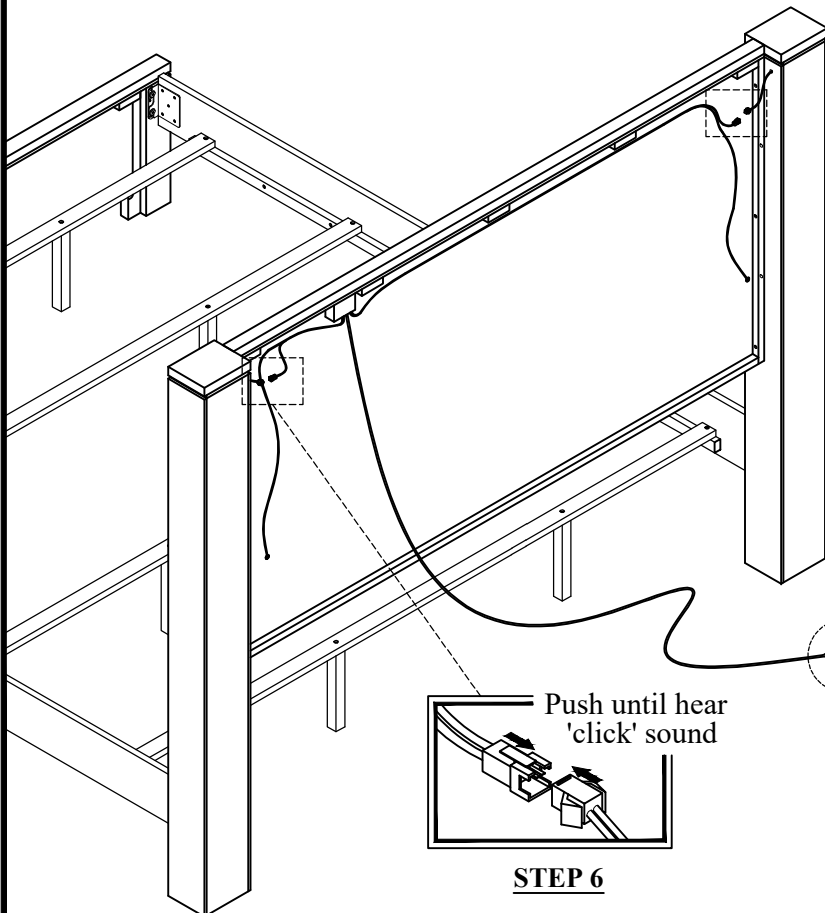
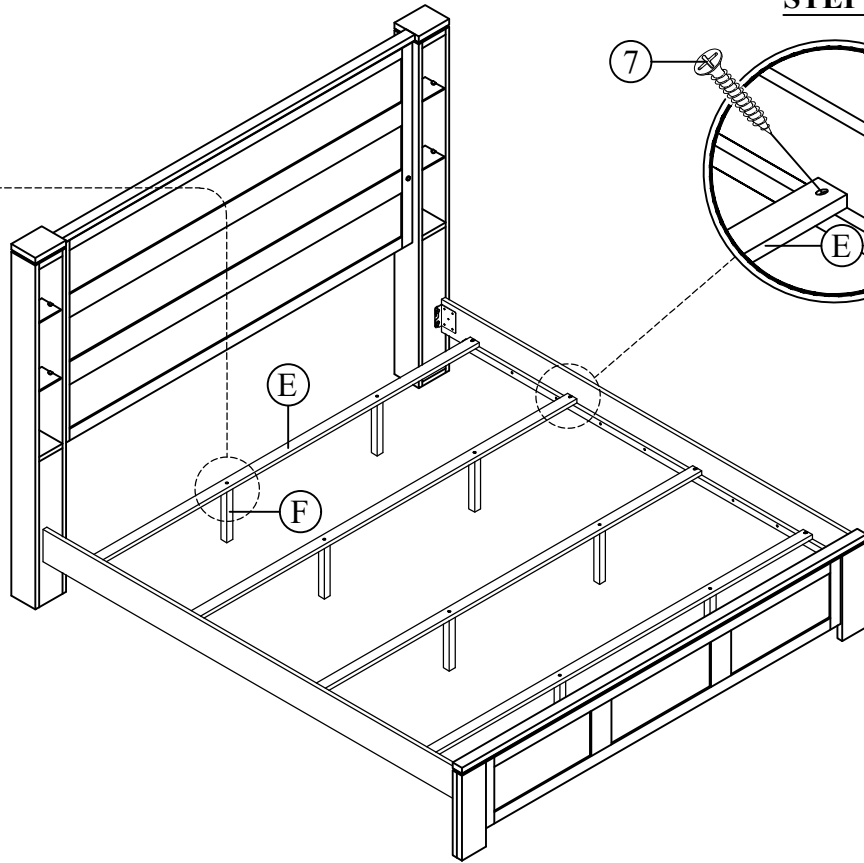
## STEP 3



## STEP 4

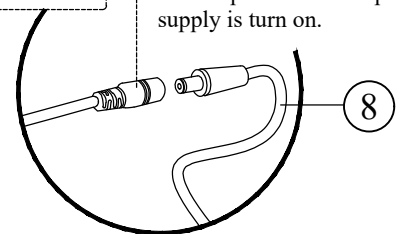


## STEP 5

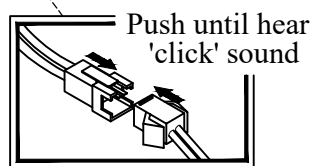


Incoming power head

Connect the sensor box with DC adapter before the power supply is turn on.



## STEP 7



Push until hear 'click' sound

## STEP 6

### Warning !

Caution ! : Please do not touch the chrome button with wet hand.