

ASSEMBLY INSTRUCTIONS

ITEM NUMBER: EMBER GOLD-KB

DESCRIPTION: KING FIREPLACE BED W/ BLUESTOOTH SPEAKER AND USB

WWW.FURNITURENEARME.US

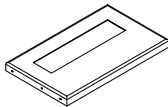
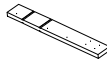
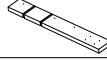

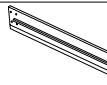


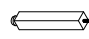
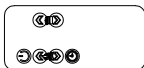
Thank you for purchasing this quality product.
Please read instructions carefully prior to assembly

Check carefully for small parts which may have come loose during transportation inside all the boxes.
Remove from boxes and place all parts and components on soft surface such as carpet, blanket or furniture pad.
Identify and verify all parts and hardware as specified below.










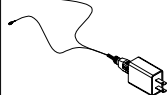
Assembly Tips :

- * Do not tighten screws and bolts until final steps of the assembly
- * This assembly may require additional help (2 person set up)

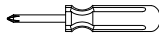
PARTS LIST:

NO.	DESCRIPTION	OUTLOOK	QT.
A	Headboard		1PC
B	Headboard Leg (Right)		1PC
C	Headboard Leg (Left)		1PC
D	Footboard		1PC
E	Side Rail (Right)		1PC
F	Side Rail (Left)		1PC
G	Slats		4PCS
H	Support leg		8PCS
H	Fireplace Remote control		1PC

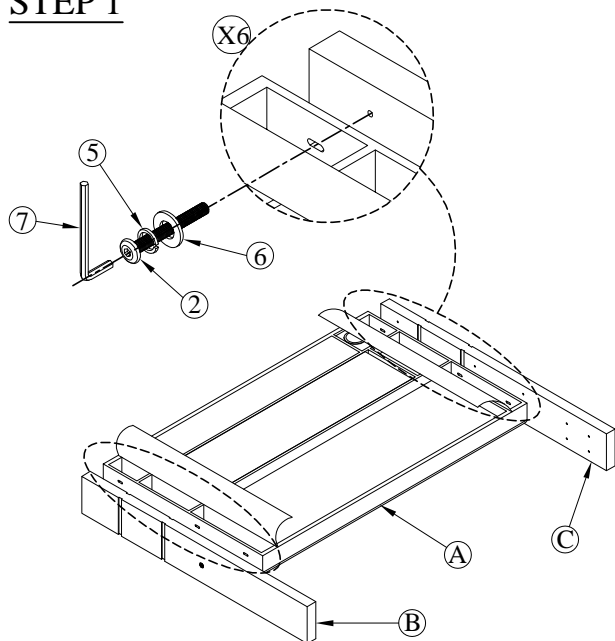
HARDWARE LIST:

NO.	DESCRIPTION	OUTLOOK	SIZE	QT.
1	Bolt		Ø5/16"x70mm	8 PCS
2	Bolt		Ø5/16"x60mm	6 PCS
3	Thread bolt		Ø5/16"x90mm	4 PCS
4	Hex nut		Ø5/16"	4PCS
5	Spring washer		Ø5/16"	18PCS
6	Flat washer		Ø5/16"	18PCS
7	Allen key		4mm	1PC
8	Wrench		Ø12mm	1PC
9	Screw		Ø4*30mm	8PCS
10	The wire of USB with USB adaptor			1Set

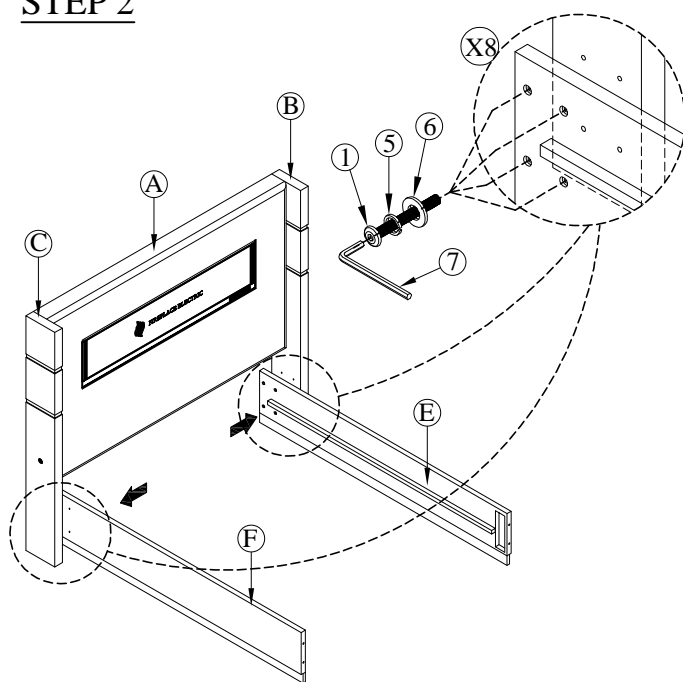
TOOLS REQUIRED (NOT PROVIDED)

DESCRIPTION	OUTLOOK
Phillips Screwdriver	

STEP 1



STEP 2

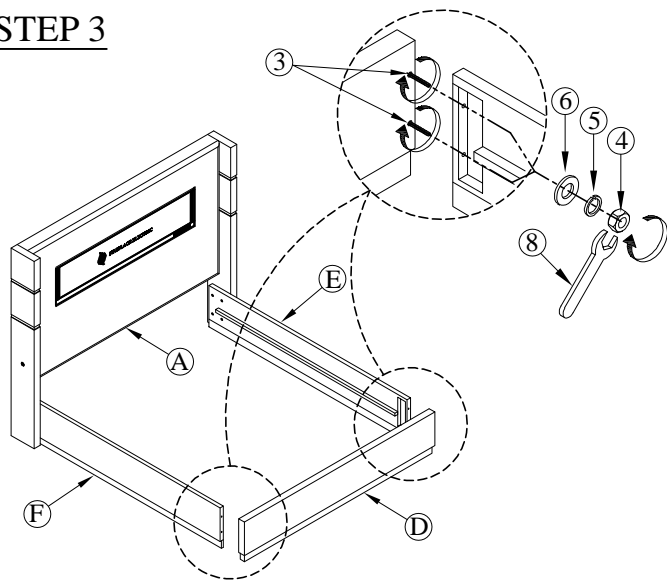


ASSEMBLY INSTRUCTIONS

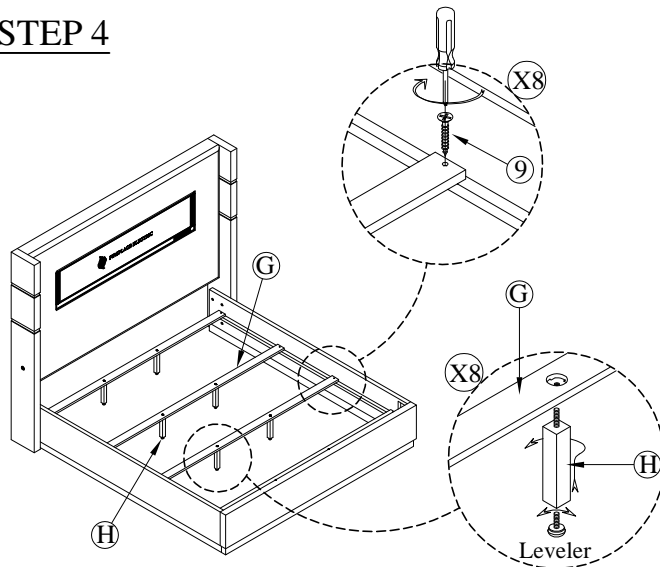
ITEM NUMBER: EMBER GOLD-KB

DESCRIPTION: KING FIREPLACE BED W/ BLUETOOTH SPEAKER AND USB

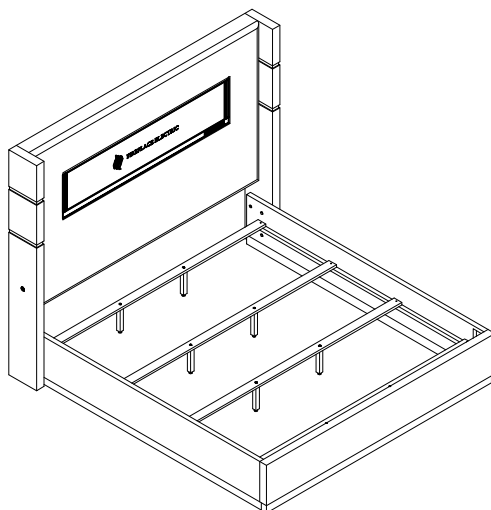
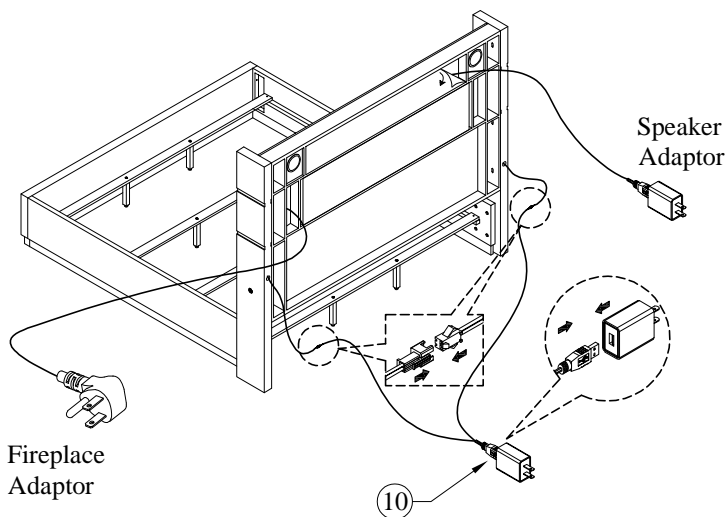
STEP 3



STEP 4



STEP 5



COMPLETED

ASSEMBLY INSTRUCTIONS

ITEM NUMBER: EMBER GOLD-QB

DESCRIPTION: QUEEN FIREPLACE BED W/ BLUETOOTH SPEAKER AND USB

WWW.FURNITURENEARME.US



Thank you for purchasing this quality product.

Please read instructions carefully prior to assembly

Check carefully for small parts which may have come loose during transportation inside all the boxes.

Remove from boxes and place all parts and components on soft surface such as carpet, blanket or furniture pad.

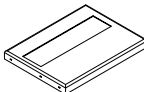


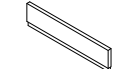



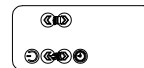
Identify and verify all parts and hardware as specified below.

Assembly Tips :









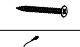
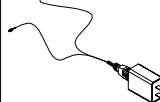
* Do not tighten screws and bolts until final steps of the assembly

* This assembly may require additional help (2 person set up)

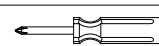
PARTS LIST:

NO.	DESCRIPTION	OUTLOOK	QT.
A	Headboard		1PC
B	Headboard Leg (Right)		1PC
C	Headboard Leg (Left)		1PC
D	Footboard		1PC
E	Side Rail (Right)		1PC
F	Side Rail (Left)		1PC
G	Slats		4PCS
H	Support leg		4PCS
H	Fireplace Remote control		1PC

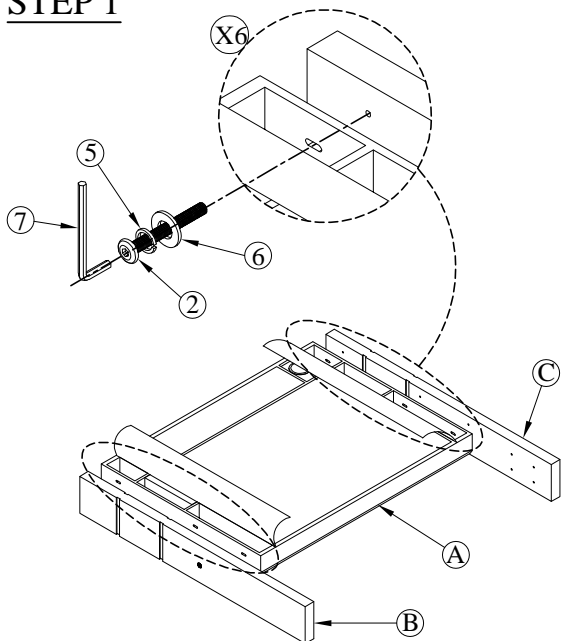
HARDWARE LIST:

NO.	DESCRIPTION	OUTLOOK	SIZE	QT.
1	Bolt		Ø5/16"x70mm	8 PCS
2	Bolt		Ø5/16"x60mm	6 PCS
3	Thread bolt		Ø5/16"x90mm	4 PCS
4	Hex nut		Ø5/16"	4PCS
5	Spring washer		Ø5/16"	18PCS
6	Flat washer		Ø5/16"	18PCS
7	Allen key		4mm	1PC
8	Wrench		Ø12mm	1PC
9	Screw		Ø4*30mm	8PCS
10	The wire of USB with USB adaptor			1Set

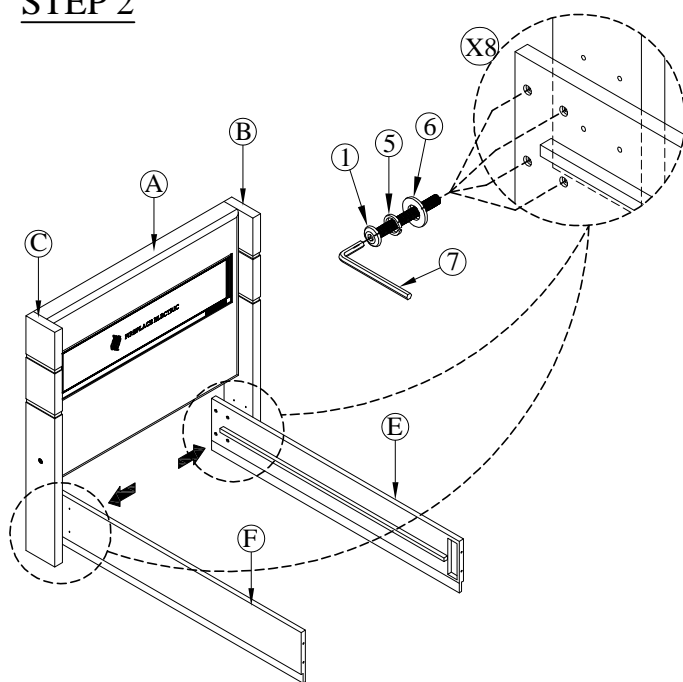
TOOLS REQUIRED (NOT PROVIDED)

DESCRIPTION	OUTLOOK
Phillips Screwdriver	

STEP 1



STEP 2

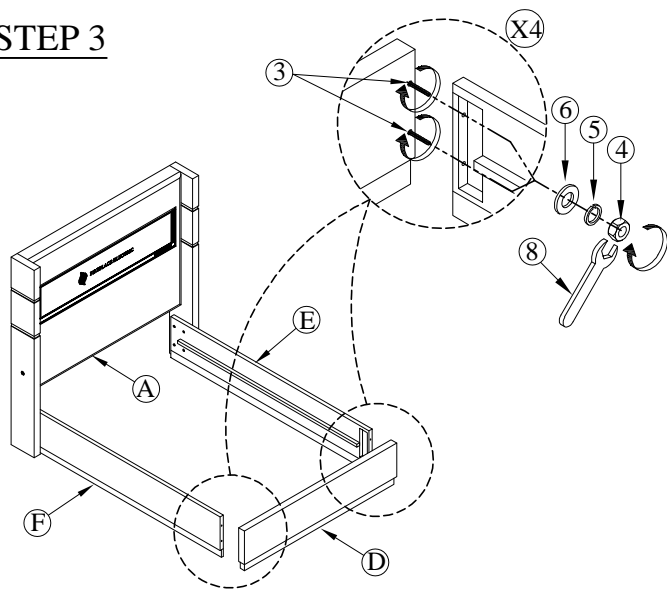


ASSEMBLY INSTRUCTIONS

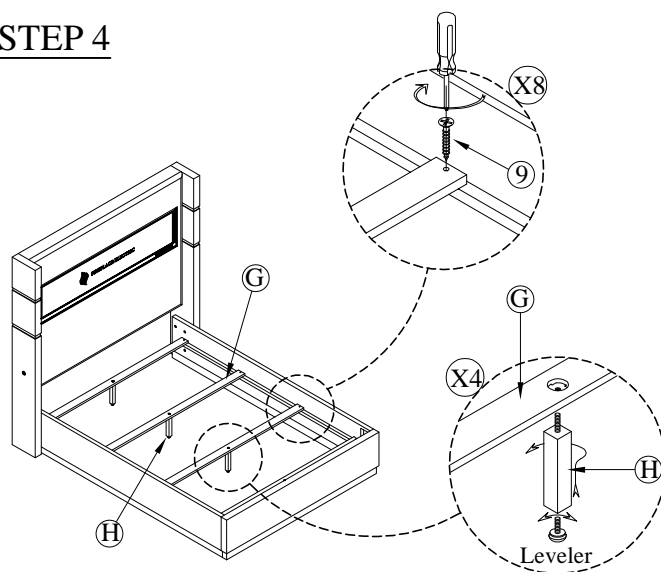
ITEM NUMBER: EMBER GOLD-QB

DESCRIPTION: QUEEN FIREPLACE BED W/ BLUETOOTH SPEAKER AND USB

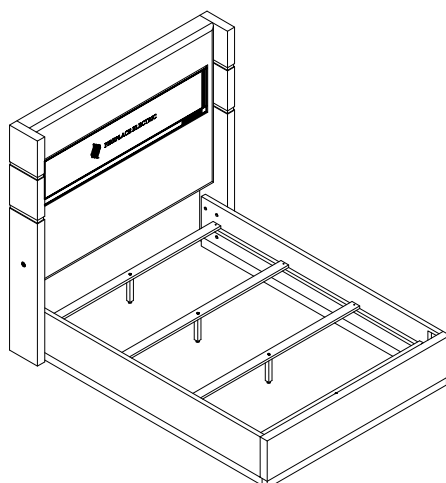
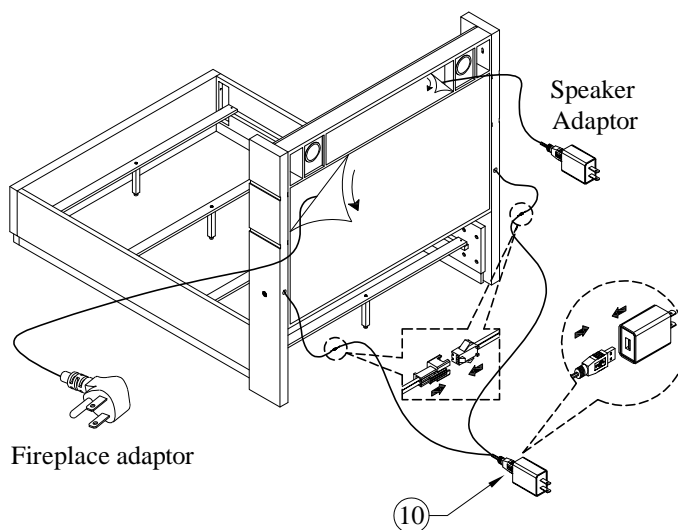
STEP 3



STEP 4



STEP 5



COMPLETED