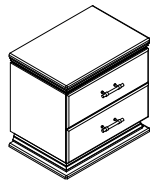





ASSEMBLY INSTRUCTIONS

ITEM NUMBER: DALAL-WH-NS
DESCRIPTION: NIGHTSTAND W/LED

Thank you for purchasing this quality product.
Please read instructions carefully prior to assembly.
Check carefully for small parts which may have come loose during transportation inside all the boxes.
Remove from boxes and place all parts and components on soft surface such as carpet, blanket or furniture pad. Identify and verify all parts and hardware as specified below.

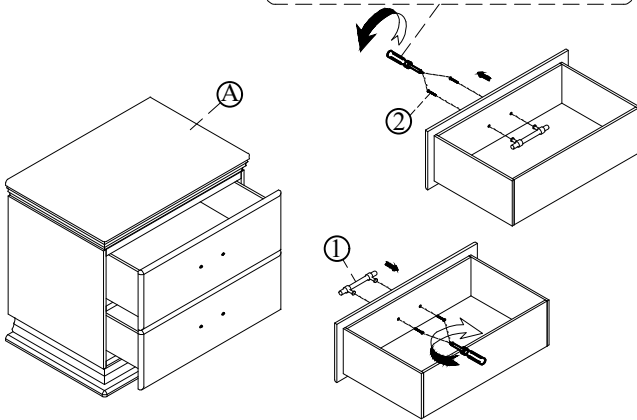
Code	Parts	Qty	Code	Hardware	Qty
A	Nightstand 	1pc	①	Handle (Pre-installed) 	2pcs
			②	Screw For Handle M4*28mm (Pre-installed) 	4pcs
			TOOLS REQUIRED (NOT PROVIDED) Screwdriver 		

Assembly Tips:

- This assembly may require additional help (2 person set up)
- There is a tip restraint kit provided on the back of this product. please read the directions thoroughly an install immediately when placed in home

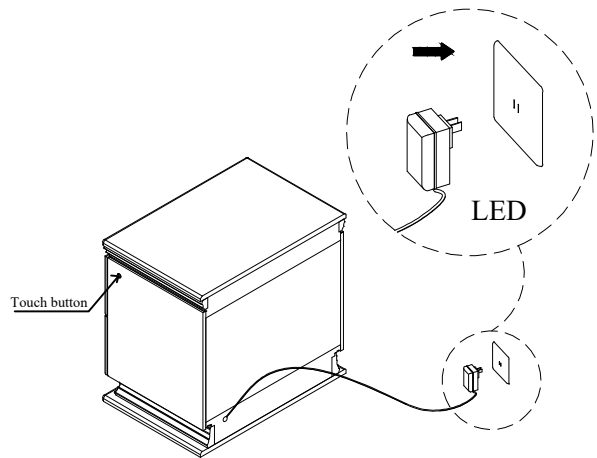
STEP 1

NOTE: Please use a screwdriver for the screwdriver is not included

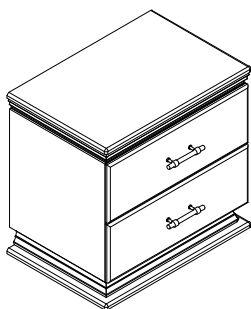


ADDITIONAL ASSEMBLY INFORMATION

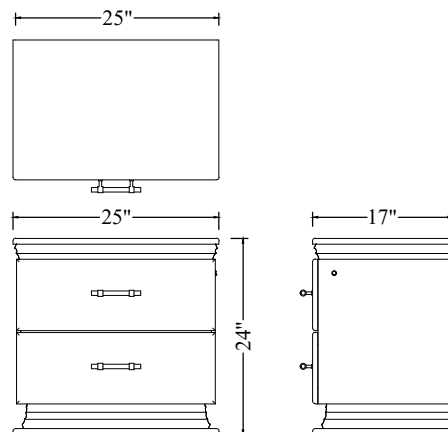
ELECTRICAL CONNECTION DIAGRAM.



COMPLETE



ASSEMBLED PRODUCT SPECIFICATIONS AND DIMENSIONS





ASSEMBLY INSTRUCTIONS
ITEM NUMBER: DALAL-WH-NS
DESCRIPTION: NIGHTSTAND W/LED

Caution: Please read instructions thoroughly before unpacking assembly parts. Sharp exposed staple tips can cause injury, therefore, for your protection, please remove any exposed staples used in packing.

- 1 We recommend that you should assemble this product with the assistance of another person; this will make assembly easier, and will help to eliminate damage to the product or injury to persons during assembly
 - 2 Be sure to check all packing materials carefully for small parts that may have come loose inside the carton during shipment.
 - 3 Please do not over tighten screw or bolts
 - 4 Please put all parts on a non-abrasive floor before assembly, and follow the assembly steps to assemble your newly purchased product correctly and efficiently
- . Do not allow children to climb on furniture.
 - . Do not place television sets on top of chest, door chest, and/or dressers.
 - . Please place heaviest objects on the lowest drawers.
 - . Please have no more than one drawer open at a time.