










# ASSEMBLY INSTRUCTIONS

ITEM NUMBER: DALAL-WH-DR/MR  
DESCRIPTION: DRESSER/MIRROR W/LED

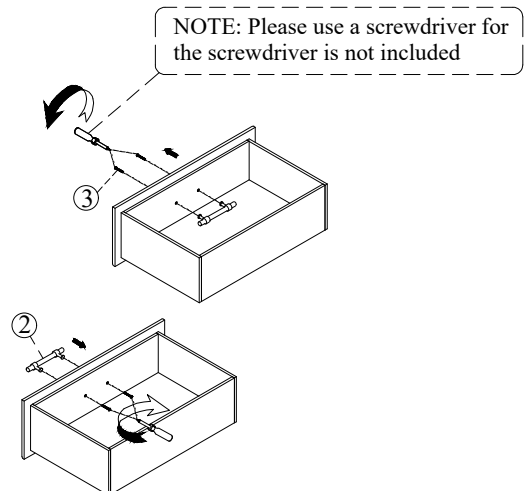
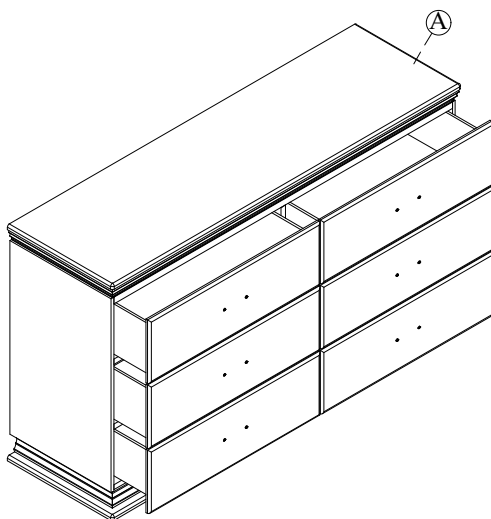
Thank you for purchasing this quality product.  
Please read instructions carefully prior to assembly.  
Check carefully for small parts which may have come loose during transportation inside all the boxes.  
Remove from boxes and place all parts and components on soft surface such as carpet, blanket or furniture pad. Identify and verify all parts and hardware as specified below.

Code	Parts List For Dresser		Qty	Code	Hardware List For Dresser		Qty		
A	Dresser		1pc	①	Tipping Restraint		1pc		
				②	Handle (Pre-installed)		6pcs		
				③	Screw For Handle M4*28mm (Pre-installed)		12pcs		
				TOOLS REQUIRED (NOT PROVIDED)					
				Screwdriver 					
Code	Parts List for Mirror		Qty	Code	Hardware Mirror		Qty		
B	Mirror		1pc	④	JCBC Bolt (Ø1/4" x 38mm)		8pcs		
					Sping washer (Ø1/4"x13x1.2)		8pcs		
C	Mirror Support		2pcs		Flat washer (Ø1/4"x19x2)		8pcs		
				⑤	Allen Key (L60*4mm)		1pc		

**Assembly Tips:**

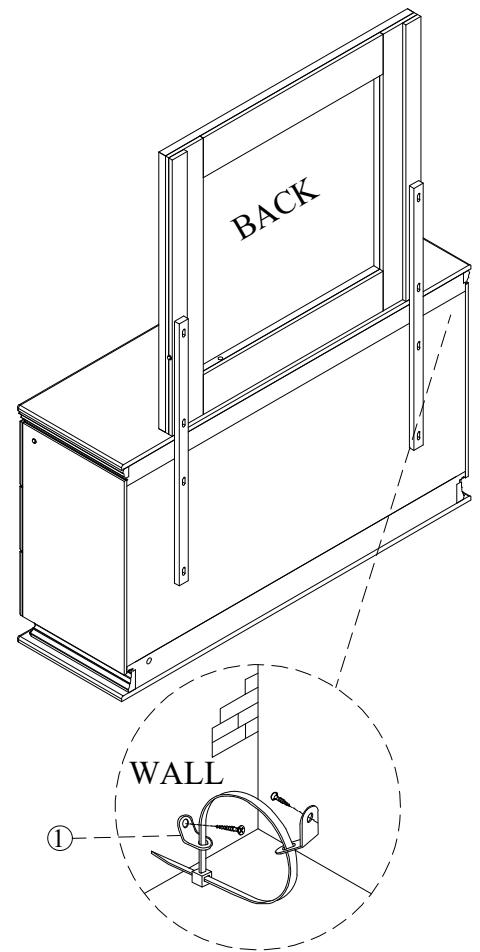
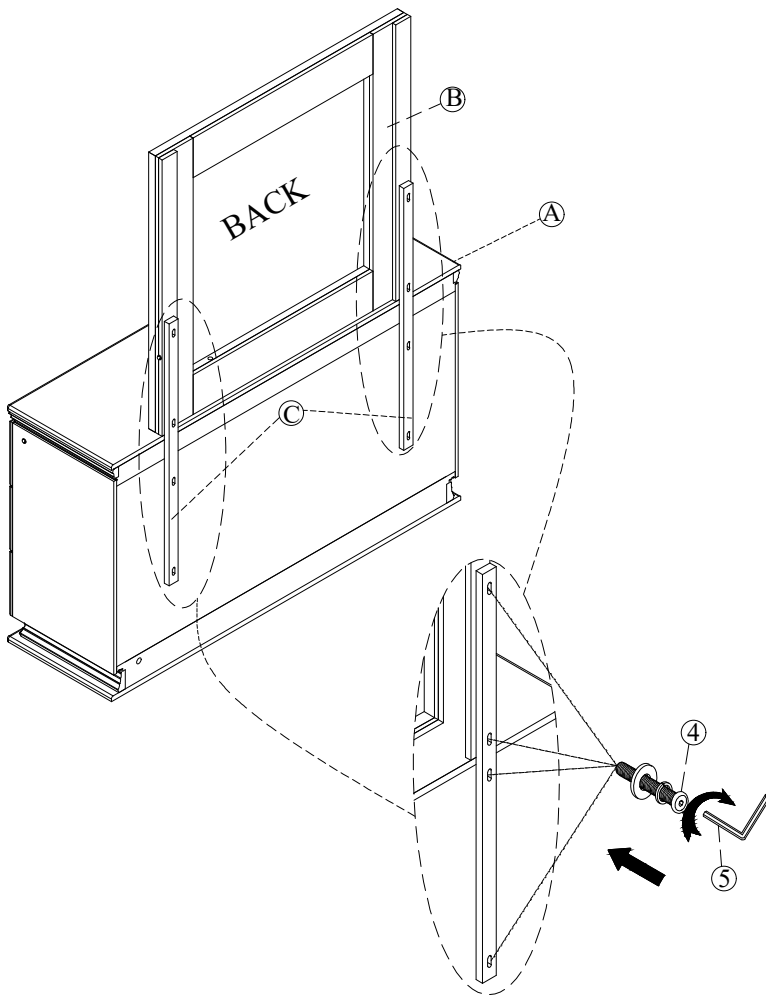
- This assembly may require additional help (2 person set up)
- There is a tip restraint kit provided on the back of this product. please read the directions thoroughly an install immediately when placed in home

**STEP 1**



STEP 2

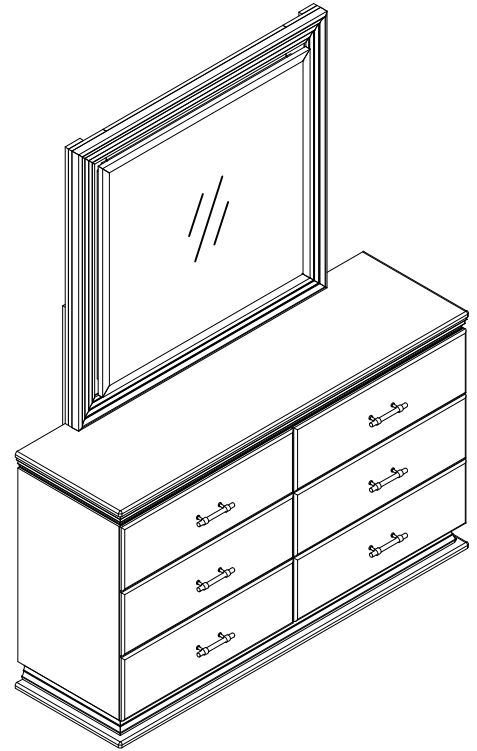
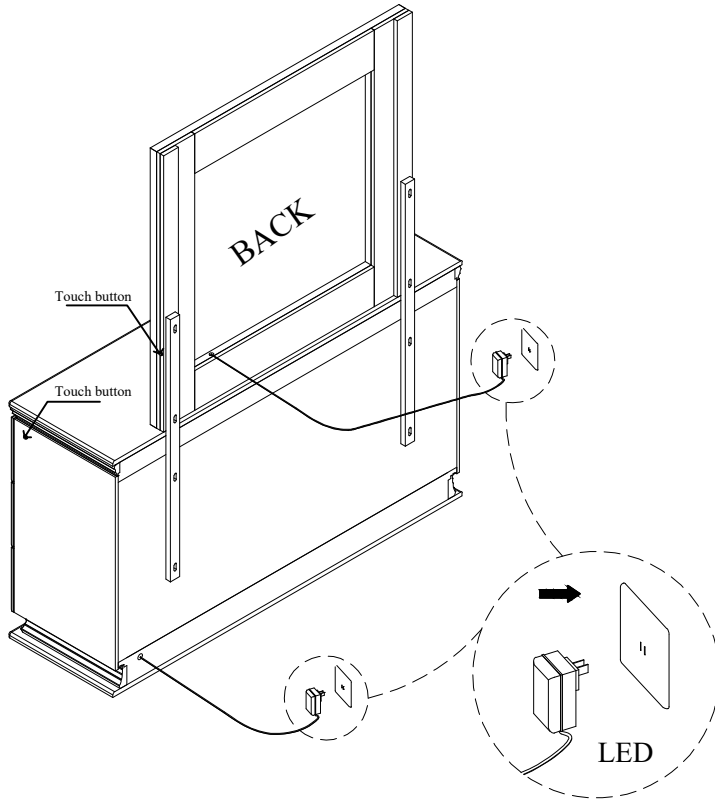
STEP 3



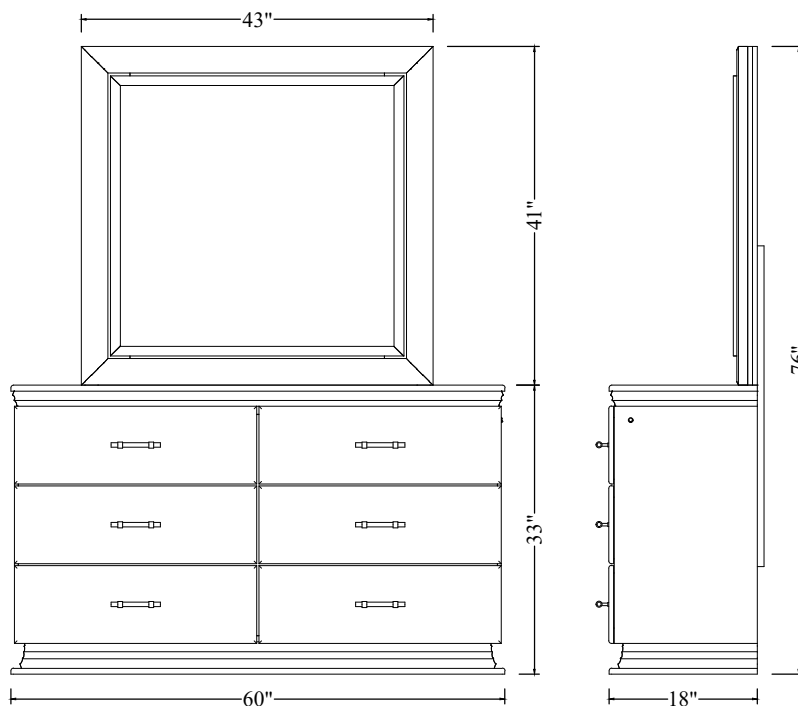
ADDITIONAL ASSEMBLY INFORMATION

ELECTRICAL CONNECTION DIAGRAM.

COMPLETE



ADDITIONAL ASSEMBLY INFORMATION



Caution: Please read instructions thoroughly before unpacking assembly parts. Sharp exposed staple tips can cause injury, therefore, for your protection, please remove any exposed staples used in packing.

- 1 We recommend that you should assemble this product with the assistance of another person; this will make assembly easier, and will help to eliminate damage to the product or injury to persons during assembly
  - 2 Be sure to check all packing materials carefully for small parts that may have come loose inside the carton during shipment.
  - 3 Please do not over tighten screws or bolts
  - 4 Please put all parts on a non-abrasive floor before assembly, and follow the assembly steps to assemble your newly purchased product correctly and efficiently
- . Do not allow children to climb on furniture.
  - . Do not place television sets on top of chest, door chest, and/or dressers.
  - . Please place heaviest objects on the lowest drawers.
  - . Please have no more than one drawer open at a time.