

# ASSEMBLY INSTRUCTION

## MODEL : BELLA QUEEN HEADBOARD + FOOTBOARD + SIDE RAIL

### (BOX 1) BOX OF HEADBOARD

NO	ITEM	QTY
A	HEADBOARD	1
B	FOOTBOARD	1
C	HEADBOARD LEG L/R	2
D	BED SLATS	4
E	BED SLATS SUPPORT	4

### (BOX 2) BOX OF SIDE RAIL

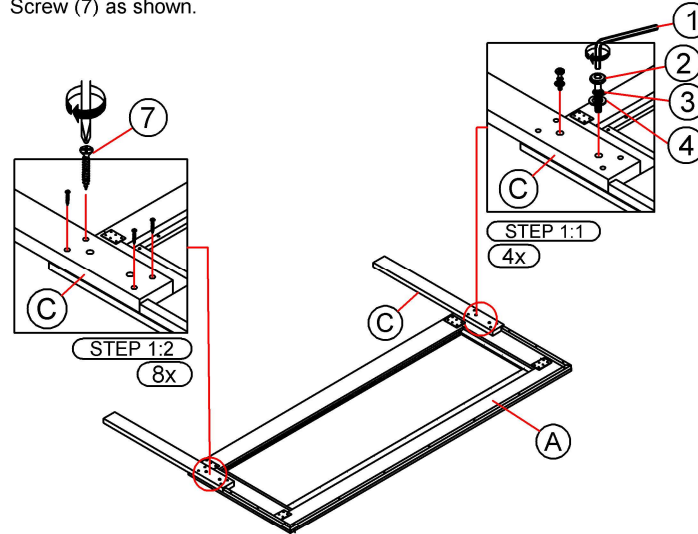
NO	ITEM	QTY
F	SIDE RAILS	2

### (BOX 1) HARDWARE LIST

NO	ITEM	QTY
1	ALLEN WRENCH M4 X 65MM BLK	1
2	JCBC M6 X 30MM BLK	4
3	SPRING WASHER 1/14" BLK	4
4	FLAT WASHER 1/14"IDX13MMOD BLK	4
5	ADAPTOR 12V+12W+1A ADAPTOR WITH UL CERTIFICATE	1
6	ALLEN WRENCH M5 X 65MM BLK	1
7	FLAT HEAD SCREW M4 X 28MM RBW	16

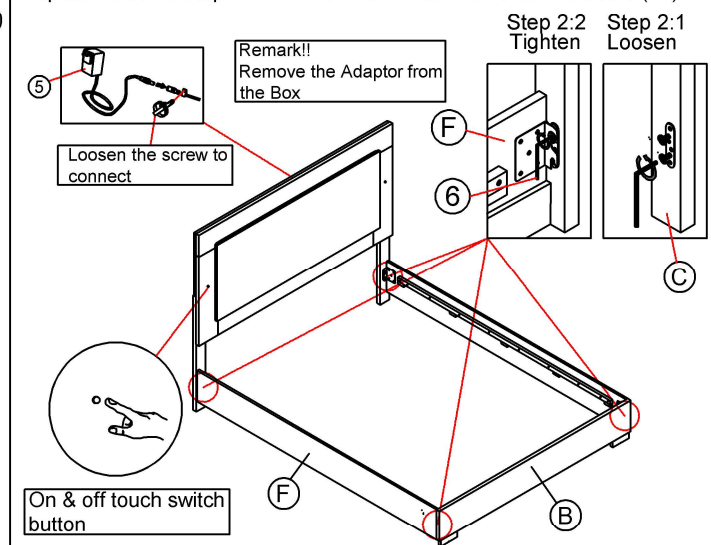
### STEP 1

**STEP 1:1** Attach the Headboard Leg (C) to Headboard (A) as show, Using JCBC Bolt (2), Spring Washer (3), Flat Washer (4) and fasten with Allen Wrench (1).  
**STEP 1:2** Fix the headboard Leg (C) by using Flat Head Chipboard Screw (7) as shown.



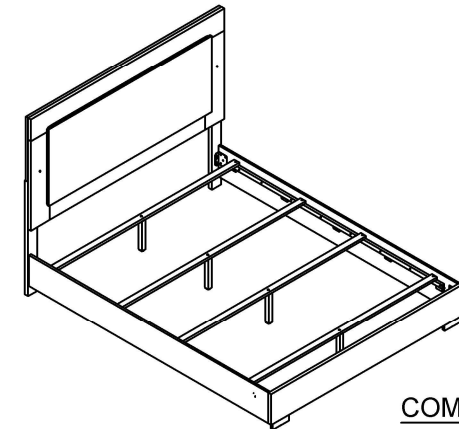
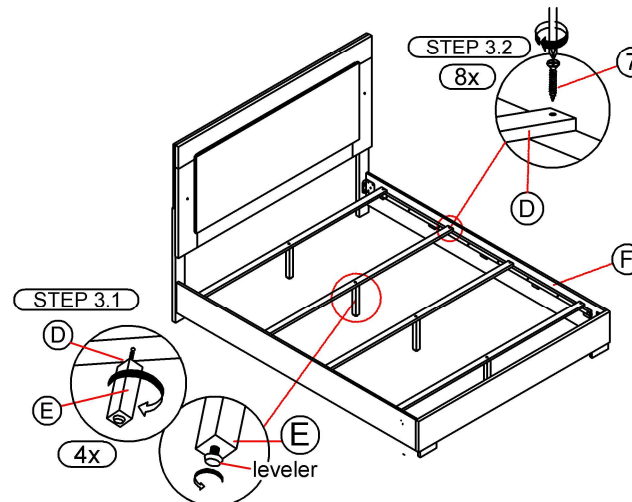
### STEP 2

**STEP 2:1** loosen the bolt on Headboard Leg (C) and Hook the Side Rails (F) to Headboard Leg (C) closely and push down to fit.  
**STEP 2:2** Retighten the bolt using an with Allen Wrench (6) as shown. Repeat the same step with other and of rail to hook onto Footboard ( B ).



### STEP 3

**STEP 3:1** Fix the Bed Slats Support (E) to Bed Slats ( D ) as Shown. Loosen or Tighten the Adjuster as necessary to level the Bed.  
**STEP 3:2** Fix the Bed Slats (D) with Bed Slats Support (E) to Side Rail ( F ) by using in Pan Head Screw ( 7 ).Bed assembly should be done in final location to ensure stability.



**COMPLETED  
ASSEMBLY**

NOTE : MUST TIGHTEN SCREWS PERIODICALLY WITH USE SCREW WILL BECOME LOOSE.CHECK TIGHTNESS OF ALL SCREW EVERY 6-8 WEEKS.  
DO NOT TIGHTEN BOLTS UNTIL COMPLETELY ASSEMBLED.