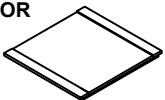




ASSEMBLY INSTRUCTION

MODEL : BELLA MIRROR/DRESSER

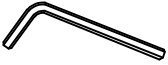
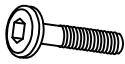


(BOX 1) BOX OF MIRROR

NO	ITEM	QTY
A	MIRROR 	1
B	MIRROR SUPPORT 	2

(BOX 2) BOX OF DRESSER

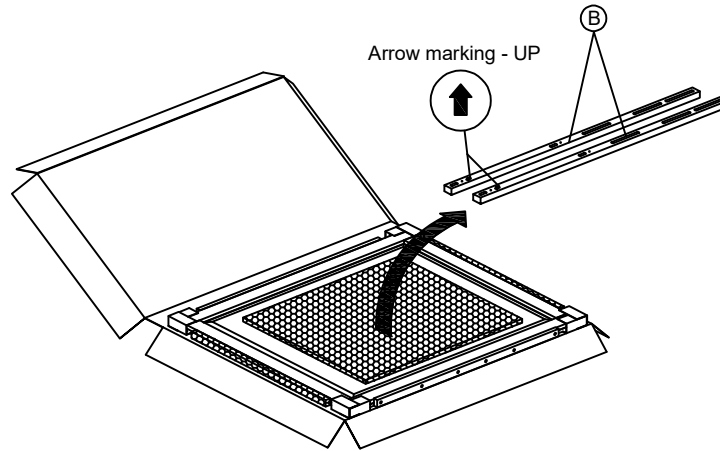
NO	ITEM	QTY
C	DRESSER 	1

(BOX 1) HARDWARE LIST

NO	ITEM	QTY
1	ALLEN WRENCH  M4 X 65MM BLK	1
2	JCBC  M6 X 35MM BLK	8
3	SPRING WASHER  1/4 " BLK	8
4	FLAT WASHER  1/4 "ID X 19MMOD BLK	8

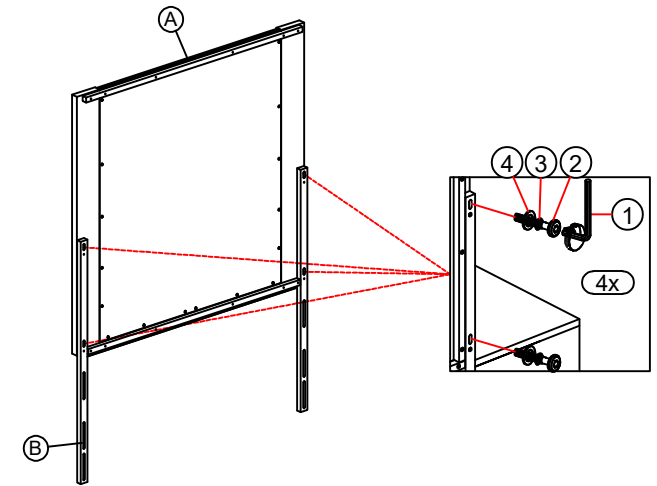
STEP 1

Take out the mirror support (B) from the carton box.



STEP 2

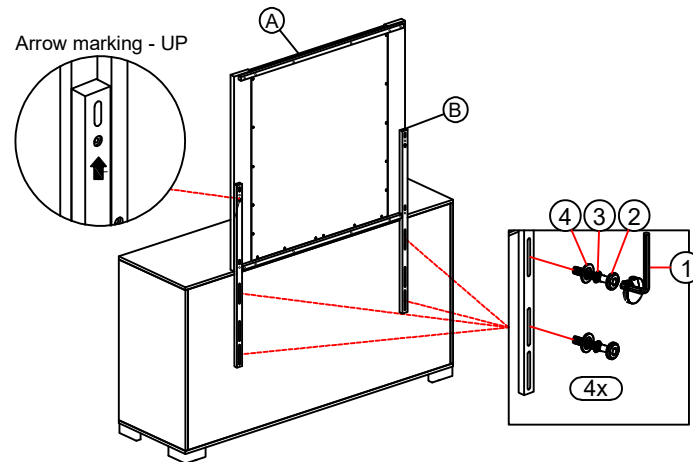
Attach Mirror Support Rail (B) to Mirror (A) as shown using JCBC Bolt (2), Spring Washer (3), Flat Washer (4) and fasten with Allen Wrench (1)



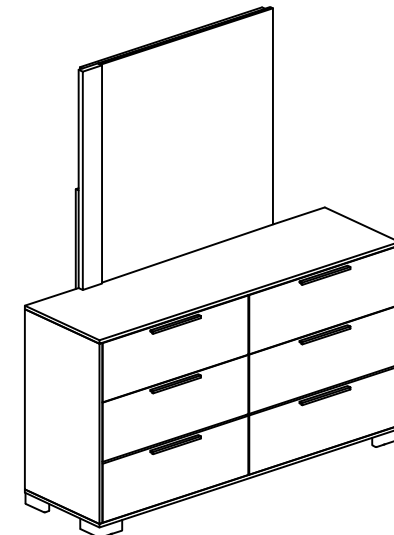
**BACK VIEW

STEP 3

Place the Mirror (A) With Mirror Support Rail (B) on the top of Dresser (C) as shown. Fix JCBC Bolt (2), Spring Washer (3), Flat Washer (4) and fasten with Allen Wrench (1).



**BACK VIEW



COMPLETED
ASSEMBLY

NOTE : MUST TIGHTEN SCREWS PERIODICALLY WITH USE SCREW WILL BECOME LOOSE.CHECK TIGHTNESS OF ALL SCREW EVERY 6-8 WEEKS.

DO NOT TIGHTEN BOLTS UNTIL COMPLETELY ASSEMBLED.