

ASSEMBLY INSTRUCTION

MODEL : BELLA KING HEADBOARD + FOOTBOARD + SIDE RAIL

(BOX 1)
BOX OF HEADBOARD

NO	ITEM	QTY
A	HEADBOARD	1
B	FOOTBOARD	1
C	HEADBOARD LEG L/R	2
D	BED SLATS	4
E	BED SLATS SUPPORT	8

(BOX 2)
BOX OF SIDE RAIL

NO	ITEM	QTY
F	SIDE RAILS	2

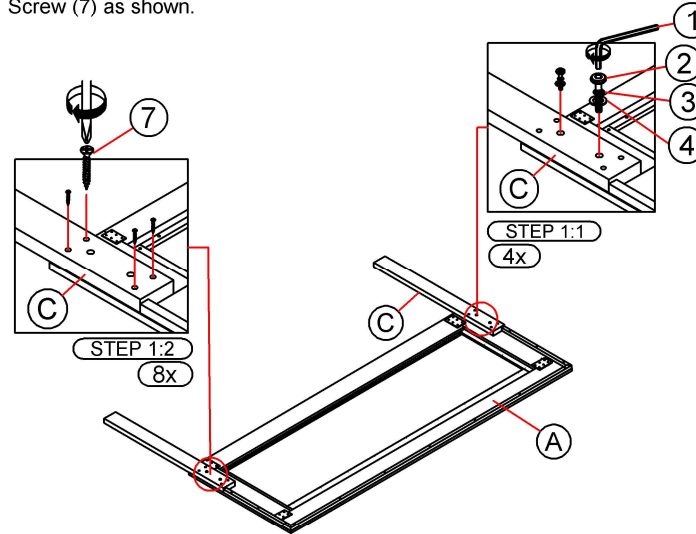
(BOX 1)
HARDWARE LIST

NO	ITEM	QTY
1	ALLEN WRENCH M4 X 65MM BLK	1
2	JCBCB M6 X 30MM BLK	4
3	SPRING WASHER 1/14" BLK	4
4	FLAT WASHER 1/14"IDX13MMOD BLK	4
5	ADAPTOR 12V→12W→1A ADAPTOR WITH UL CERTIFICATE	1
6	ALLEN WRENCH M5 X 65MM BLK	1
7	FLAT HEAD SCREW M4 X 28MM RBW	16

STEP 1

STEP 1:1 Attach the Headboard Leg (C) to Headboard (A) as show, Using JCBC Bolt (2), Spring Washer (3), Flat Washer (4) and fasten with Allen Wrench (1).

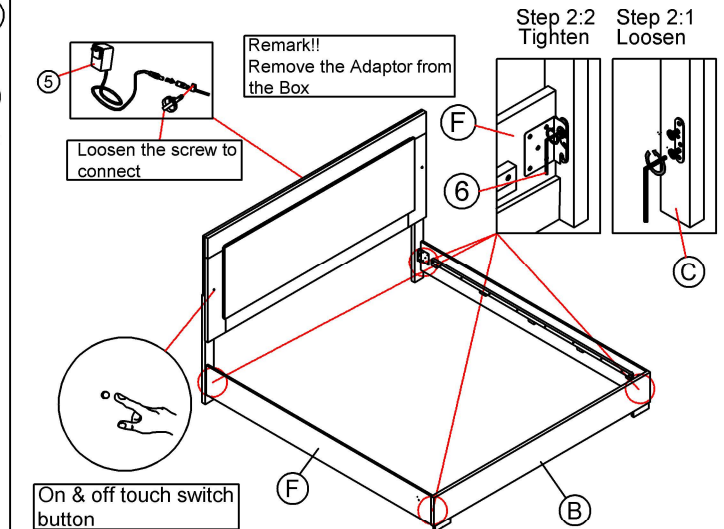
STEP 1:2 Fix the headboard Leg (C) by using Flat Head Chipboard Screw (7) as shown.



STEP 2

STEP 2:1 loosen the bolt on Headboard Leg (C) and Hook the Side Rails (F) to Headboard Leg (C) closely and push down to fit.

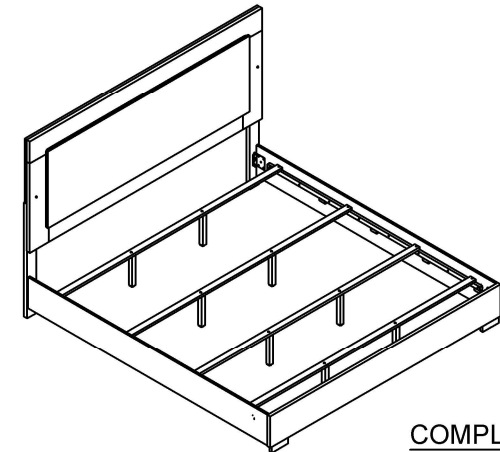
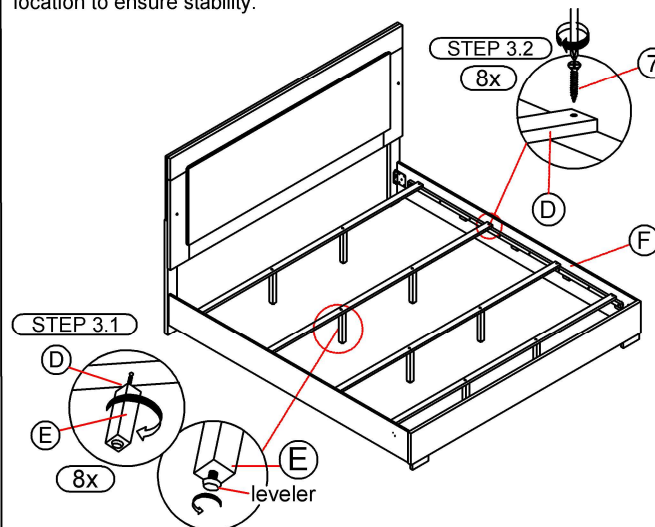
STEP 2:2 Retighten the bolt using an with Allen Wrench (6) as shown. Repeat the same step with other and of rail to hook onto Footboard (B).



STEP 3

STEP 3:1 Fix the Bed Slats Support (E) to Bed Slats (D) as Shown. Loosen or Tighten the Adjuster as necessary to level the Bed.

STEP 3:2 Fix the Bed Slats (D) with Bed Slats Support (E) to Side Rail (F) by using Pan Head Screw (7).Bed assembly should be done in final location to ensure stability.



**COMPLETED
ASSEMBLY**

NOTE : MUST TIGHTEN SCREWS PERIODICALLY WITH USE SCREW WILL BECOME LOOSE.CHECK TIGHTNESS OF ALL SCREW EVERY 6-8 WEEKS.

DO NOT TIGHTEN BOLTS UNTIL COMPLETELY ASSEMBLED.