



# ASSEMBLY INSTRUCTION

## MODEL : BELLA CHEST

(BOX 1)  
BOX OF CHEST

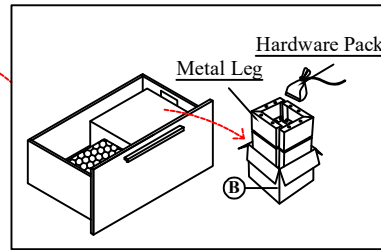
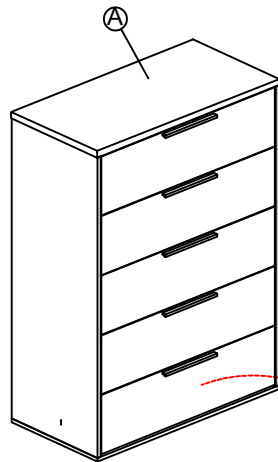
NO	ITEM	QTY
A	CHEST 	1
B	METAL LEG 	4

(BOX 1)  
HARDWARE LIST

NO	ITEM	QTY
1	Pan Head Screw  M3.5 x 16mm BLK	16

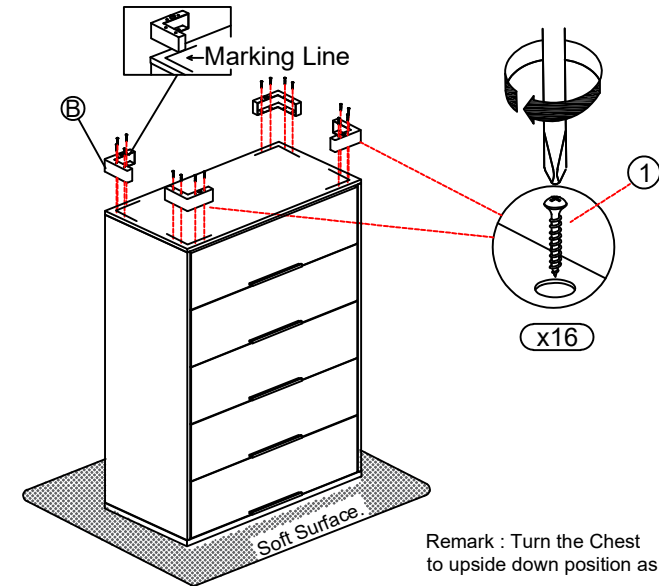
### STEP 1

Pull the drawer and take out the Metal Leg carton ( B ).

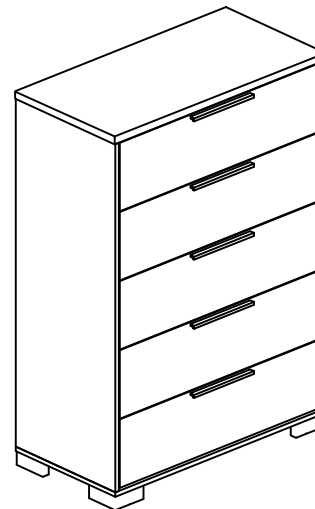


### STEP 1

Place Metal Leg (B) On Marking Line. Fix using Pan Head Chipboard screw (1) and securing with Screw Driver (NOT PROVIDED) as shown



Remark : Turn the Chest to upside down position as shown.



COMPLETED  
ASSEMBLY

NOTE : MUST TIGHTEN SCREWS PERIODICALLY WITH USE SCREW WILL BECOME LOOSE.CHECK TIGHTNESS OF ALL SCREW EVERY 6-8 WEEKS.  
DO NOT TIGHTEN BOLTS UNTIL COMPLETELY ASSEMBLED.