

ASSEMBLY INSTRUCTION

GROUP NO.: AYA-THB/TFB/TRL

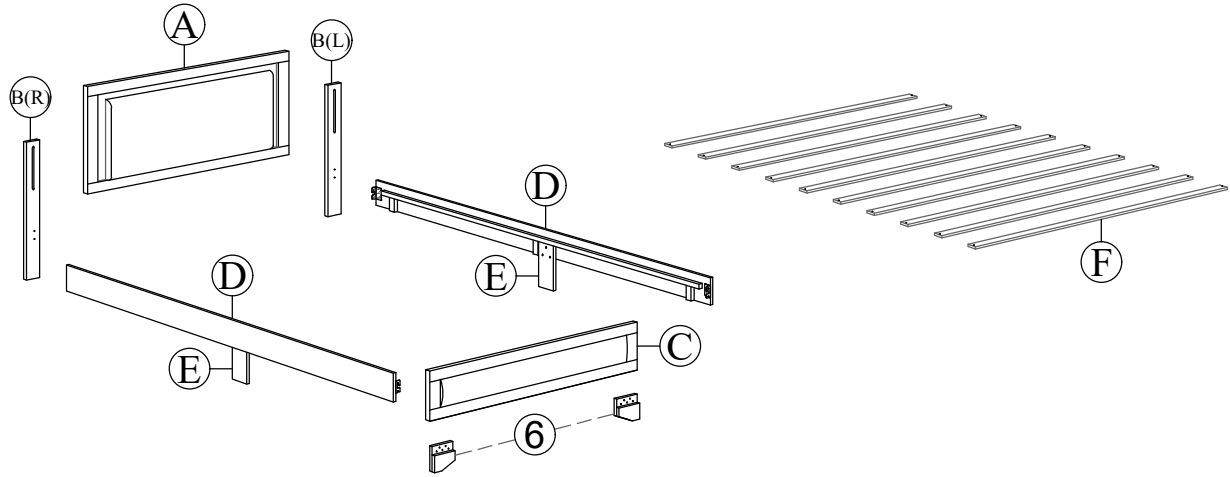
DESCRIPTION : TWIN BED

www.FurnitureNearMe.us

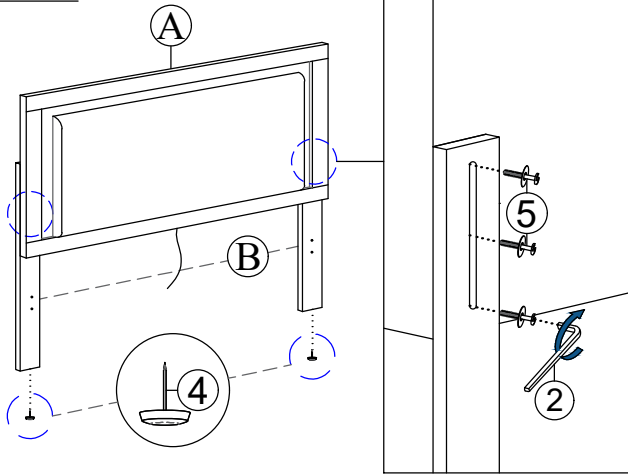
1) CSK CB M4 x 32mm 30 PCS	2) JCBB M8 x 20mm 8 PCS	L KEY 5 1 PC	3) CSK CB M4 x 25mm 6 PCS	4) LEG STUD 4 PCS	5) JCBB M8 x 35mm 6 PCS	M8 WASHER 6 PCS	6) LEG 2 PCS	7) CONTROL + WIRE 1 PC	8) ADAPTOR 1 PC
-----------------------------------	--------------------------------	-----------------	----------------------------------	-----------------------	--------------------------------	-----------------------	------------------	-------------------------------	---------------------

Caution: Please read instructions thoroughly before unpacking assembly parts. Sharp, exposed staple tie can cause injury, therefore, for your protection, please remove any exposed staple used in packing.

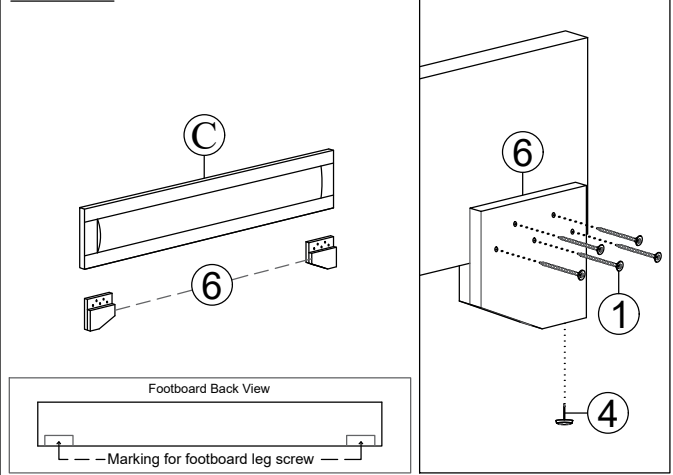
1. We recommend that you should assemble this product with the assistance of another person;
2. Be sure to check all packing materials carefully for small parts that may have come loose inside the carton during shipment.
3. Please put all parts on a non-abrasive floor before assembly, and follow the assembly, and follow the assembly step to assemble your newly purchased product correctly and efficiently.



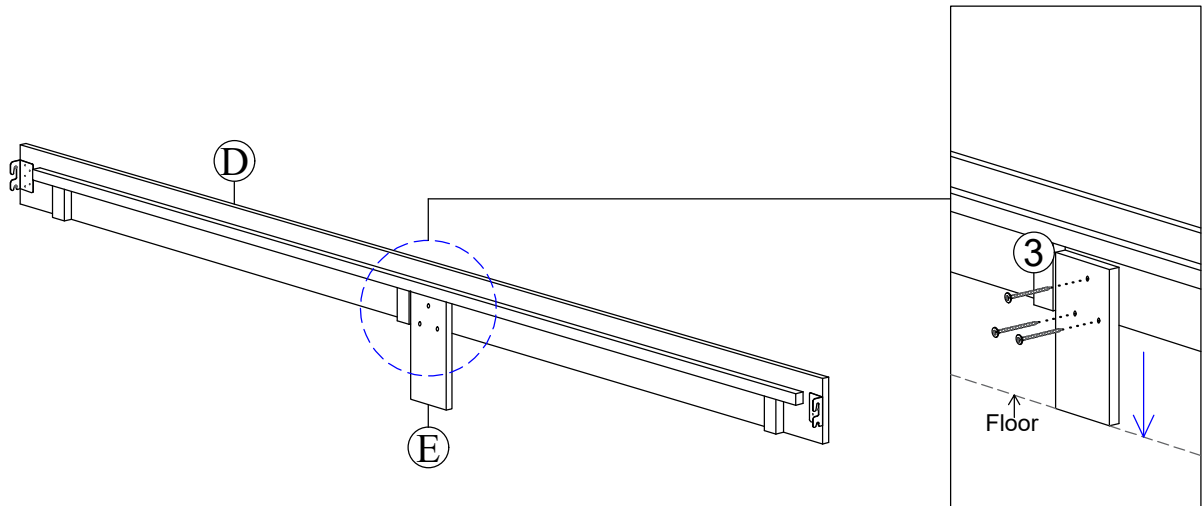
STEP 1 : BACK VIEW



STEP 2 : BACK VIEW



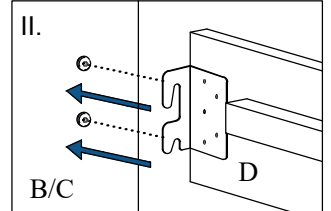
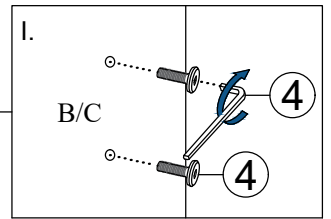
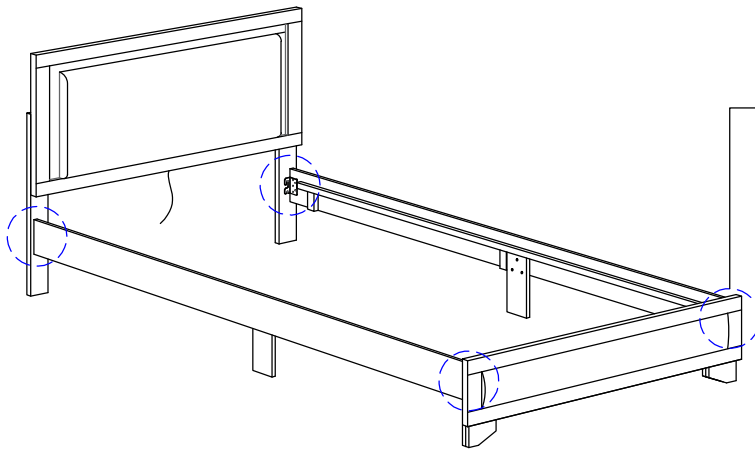
STEP 3



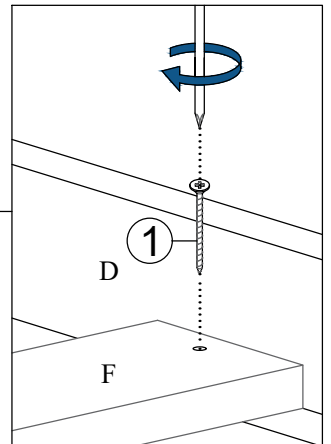
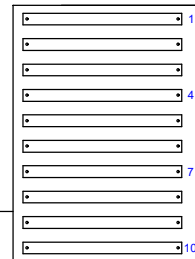
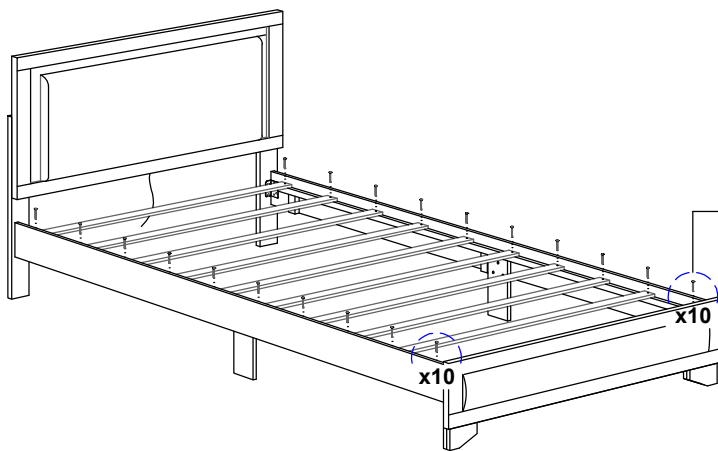
ASSEMBLY INSTRUCTION

Before you begin, please follow the assembly instruction carefully. Please follow them step by step.

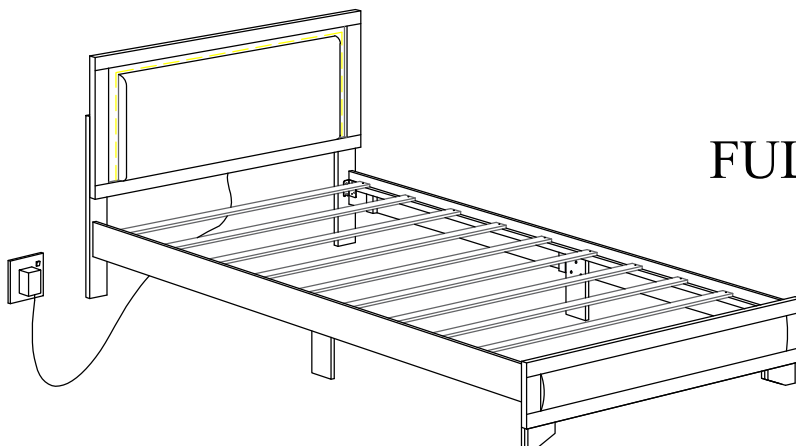
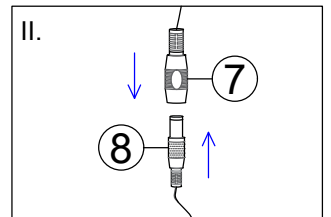
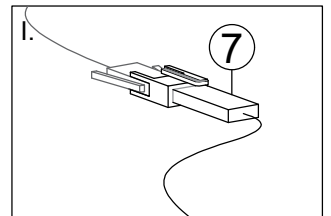
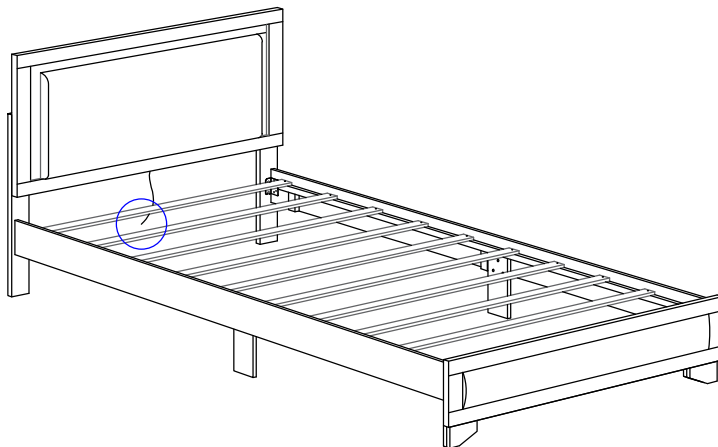
STEP 4



STEP 5



STEP 6



FULLY ASSEMBLED