

# ASSEMBLY INSTRUCTION

GROUP NO.: AYA-QHB/QFB/QRL

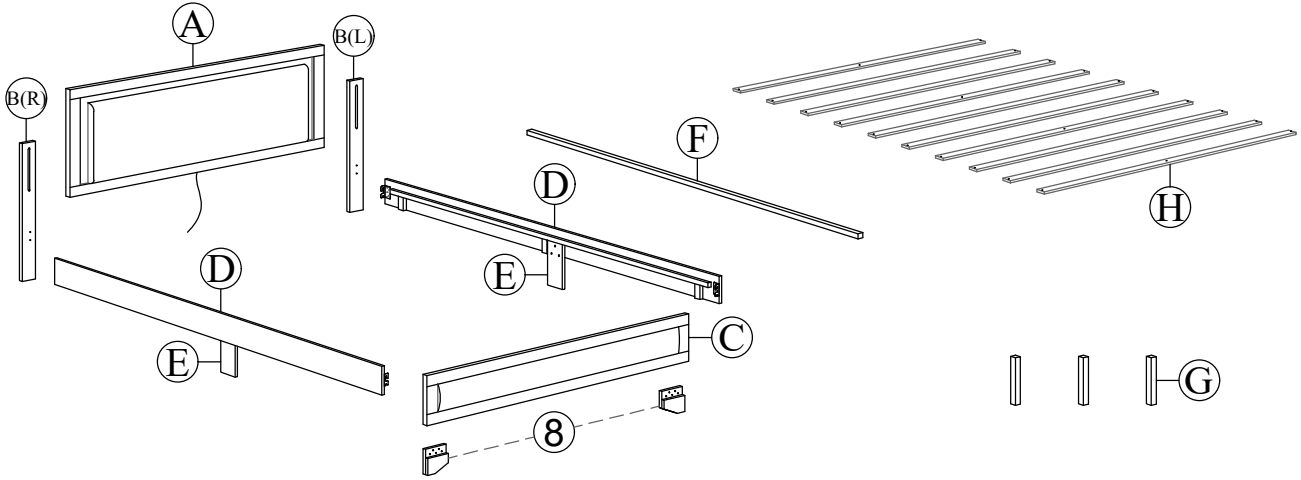
DESCRIPTION : QUEEN BED

[www.FurnitureNearMe.us](http://www.FurnitureNearMe.us)

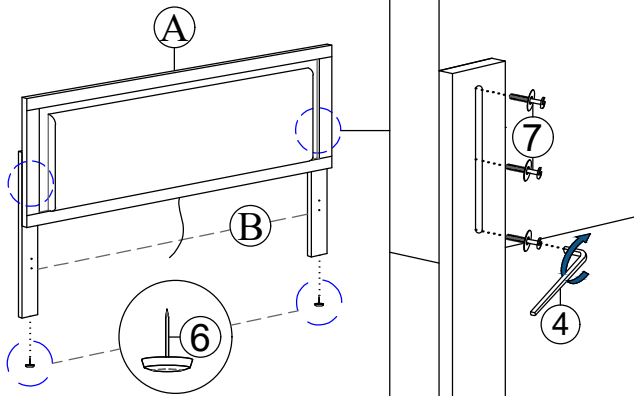
1)  CSK CB M4 x 32mm 34 PCS	2)  JCBC M6 x 60mm 3 PCS	3)  L KEY 4 1 PC	4)  ADJUSTER M6 x 23mm 3 PCS	5)  JCBB M8 x 20mm 8 PCS	6)  L KEY 5 1 PC	7)  L BRACKET M4 x 25mm 1 PC	8)  CSK CB M4 x 25mm 10 PCS	9)  LEG STUD 4 PCS	10)  JCBB M8 x 35mm 6 PCS	11)  M8 WASHER 6 PCS	12)  LEG 2 PCS	13)  CONTROL + WIRE 1 PC	14)  ADAPTOR 1 PC
-----------------------------------	--------------------------------	---------------------	------------------------------------	--------------------------------	---------------------	------------------------------------	-----------------------------------	-----------------------	---------------------------------	-------------------------	-------------------	--------------------------------	----------------------

Caution: Please read instructions thoroughly before unpacking assembly parts. Sharp, exposed staple tie can cause injury, therefore, for your protection, please remove any exposed staple used in packing.

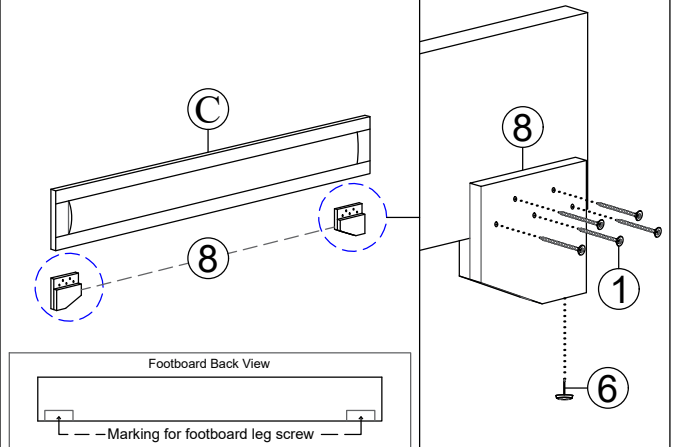
1. We recommend that you should assemble this product with the assistance of another person;
2. Be sure to check all packing materials carefully for small parts that may have come loose inside the carton during shipment.
3. Please put all parts on a non-abrasive floor before assembly, and follow the assembly, and follow the assembly step to assemble your newly purchased product correctly and efficiently.



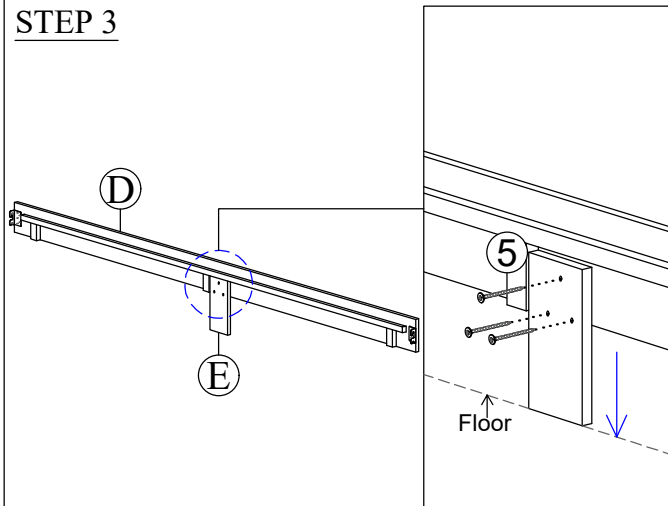
## STEP 1 : BACK VIEW



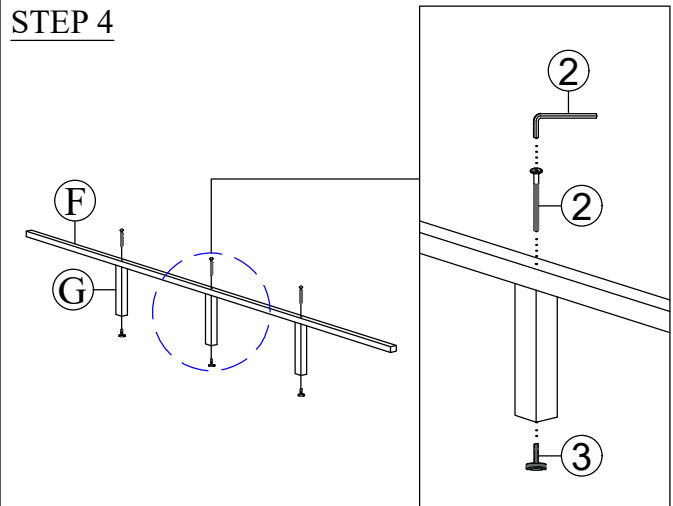
## STEP 2 : BACK VIEW



## STEP 3



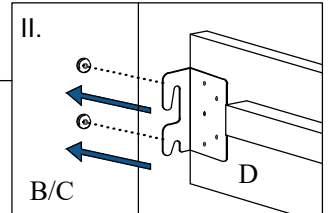
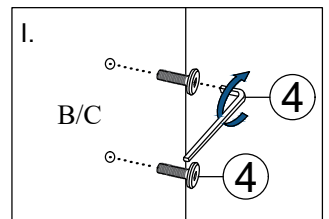
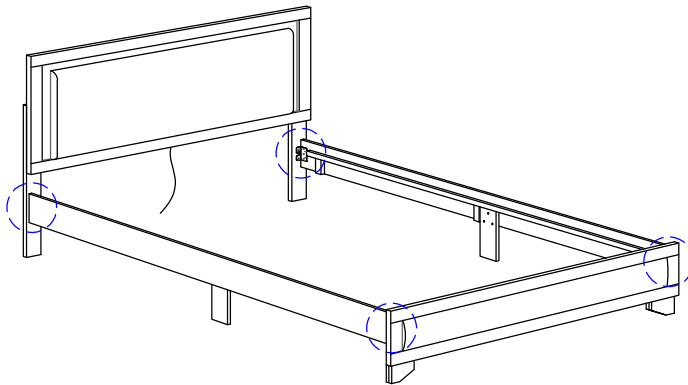
## STEP 4



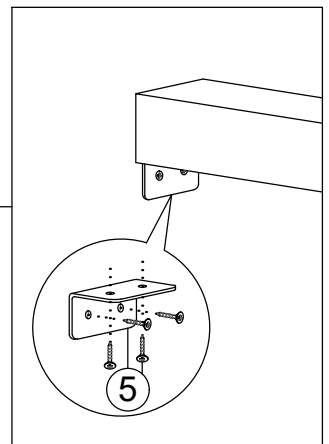
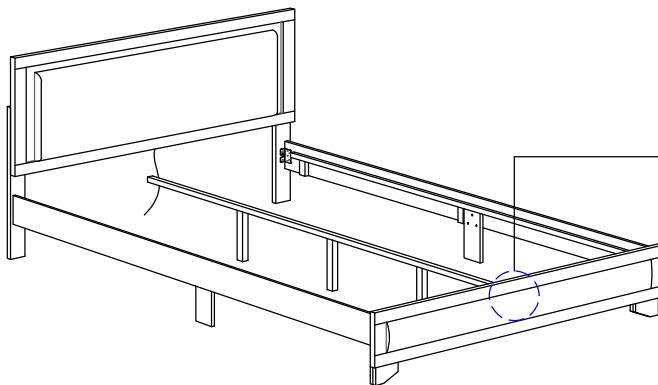
# ASSEMBLY INSTRUCTION

Before you begin, please follow the assembly instruction carefully. Please follow them step by step.

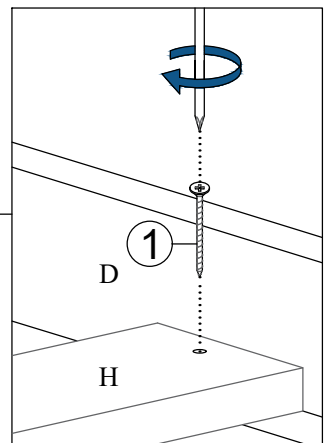
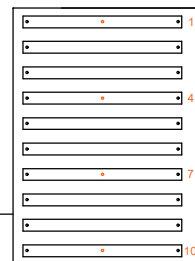
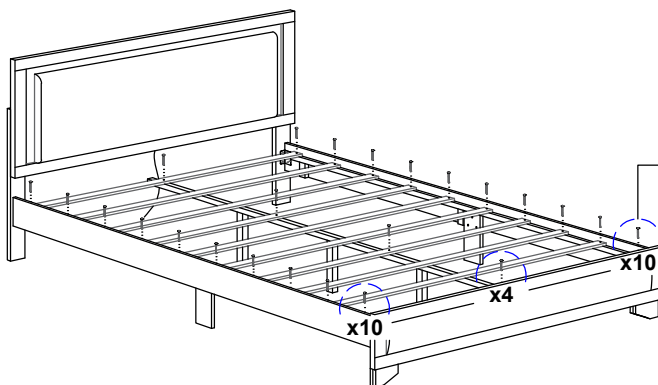
## STEP 5



## STEP 6



## STEP 7



## STEP 8

