

ASSEMBLY INSTRUCTION

GROUP NO.: AYA-NS

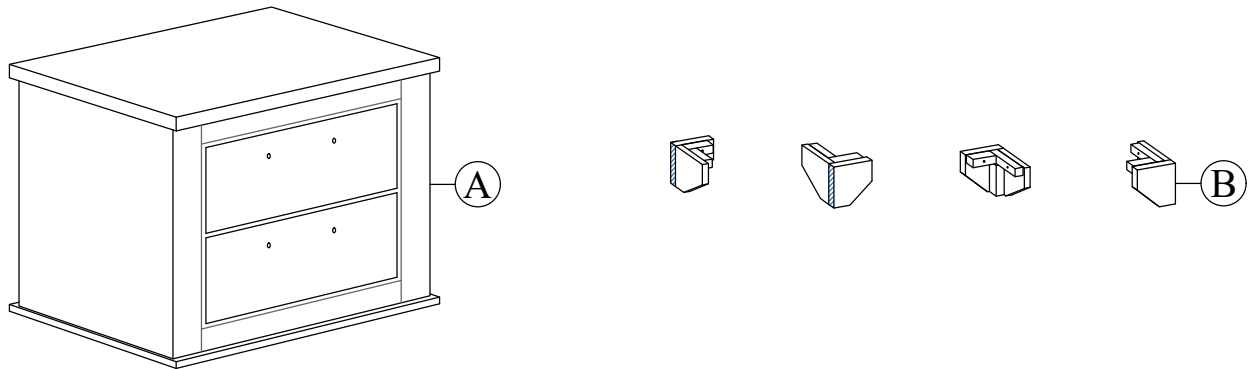
DESCRIPTION : NIGHT STAND

www.FurnitureNearMe.us

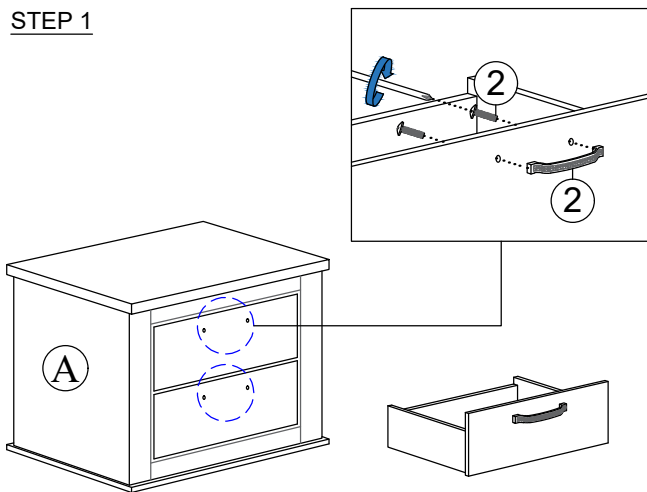
1)			2)			3)	
	JCBC M6 x 30mm	L KEY M6		Handle	Thrust Head Machine Screw M4 x 16mm		Leg Stud
	8 PCS	1 PC		2 PCS	4 PCS		4 PCS

Caution: Please read instructions thoroughly before unpacking assembly parts. Sharp, exposed staple tie can cause injury, therefore, for your protection, please remove any exposed staple used in packing.

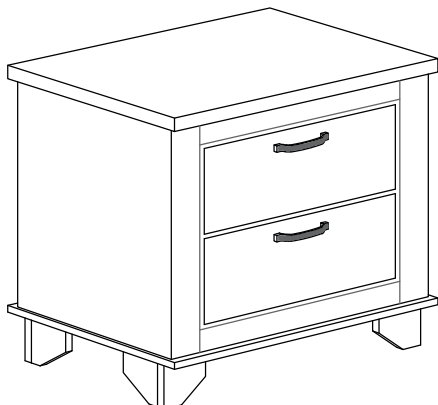
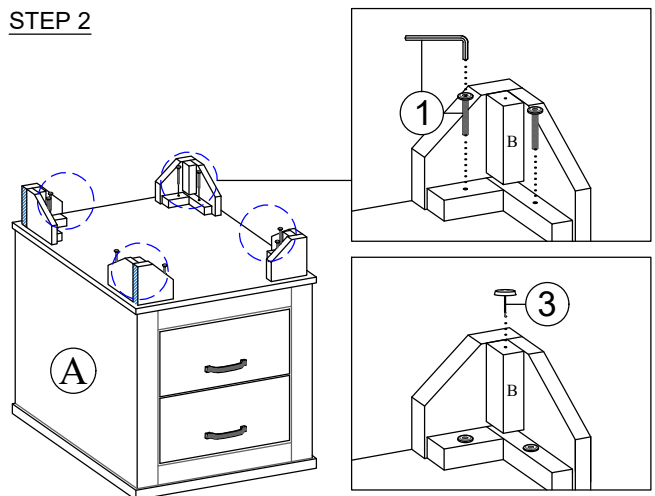
1. We recommend that you should assemble this product with the assistance of another person;
2. Be sure to check all packing materials carefully for small parts that may have come loose inside the carton during shipment.
3. Please put all parts on a non-abrasive floor before assembly, and follow the assembly, and follow the assembly step to assemble your newly purchased product correctly and efficiently.



STEP 1



STEP 2



FULLY ASSEMBLED



Please refer to the safety instruction stated inside the top drawer.

