

ASSEMBLY INSTRUCTION

GROUP NO.: AYA-CH

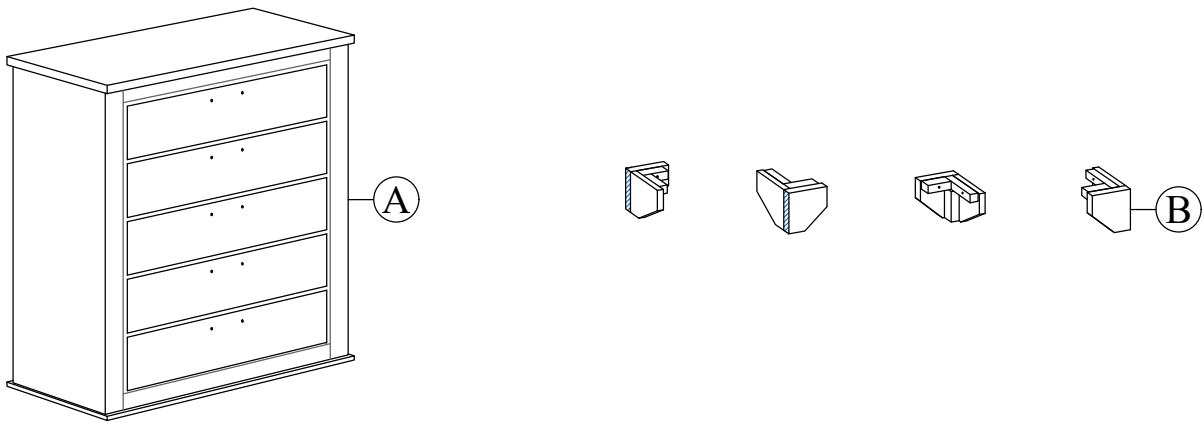
DESCRIPTION : CHEST OF DRAWER

www.FurnitureNearMe.us

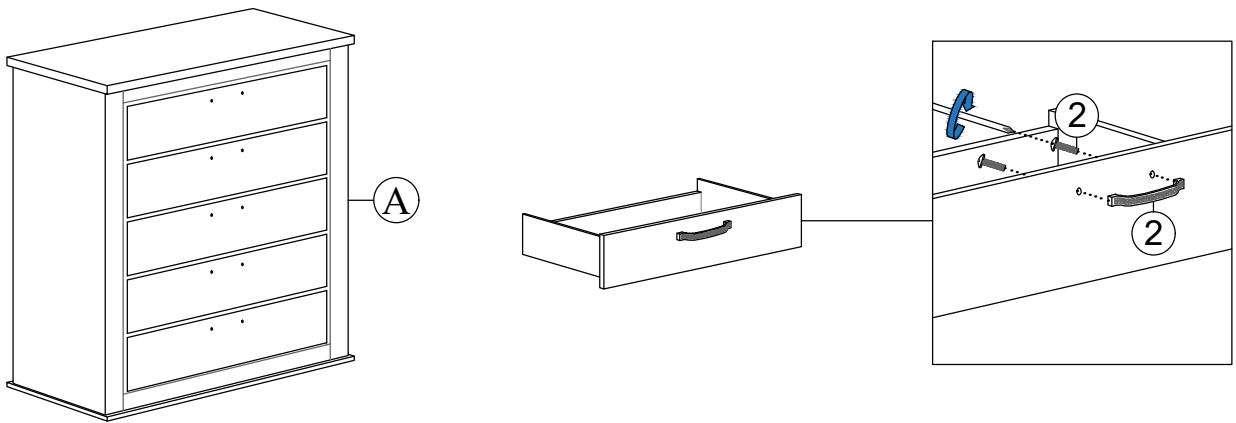
1)			2)			3)		4)	FURNITURE TIPPING RESTRAINT
	JCBC M6 x 30mm	L KEY M6		Handle	Thrust Head Machine Screw M4 x 16mm		Leg Stud		FURNITURE TIPPING RESTRAINT
	8 PCS	1 PC		5 PCS	10 PCS		4 PCS		1 PC

Caution: Please read instructions thoroughly before unpacking assembly parts. Sharp, exposed staple tie can cause injury, therefore, for your protection, please remove any exposed staple used in packing.

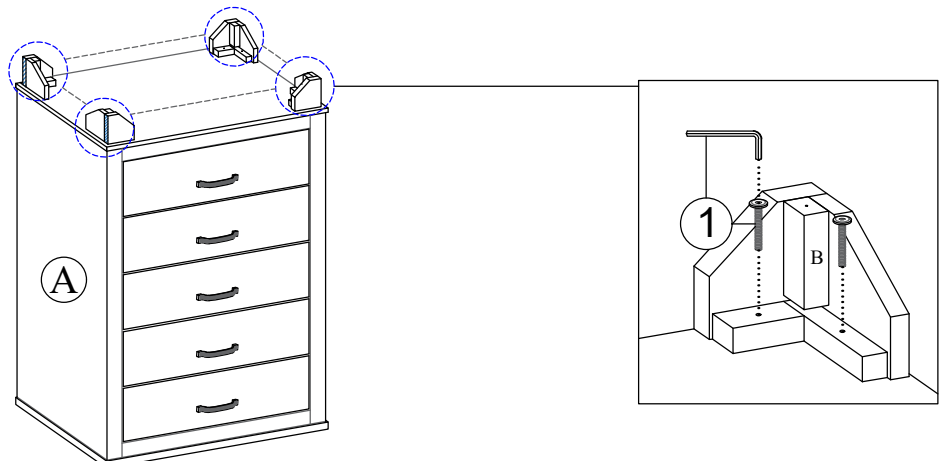
1. We recommend that you should assemble this product with the assistance of another person;
2. Be sure to check all packing materials carefully for small parts that may have come loose inside the carton during shipment.
3. Please put all parts on a non-abrasive floor before assembly, and follow the assembly, and follow the assembly step to assemble your newly purchased product correctly and efficiently.



STEP 1



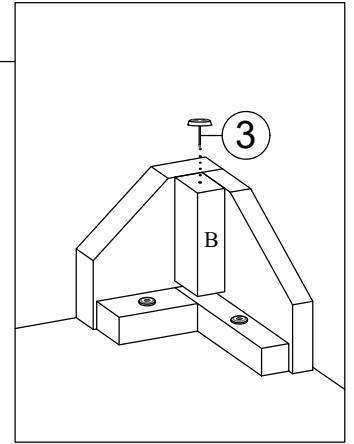
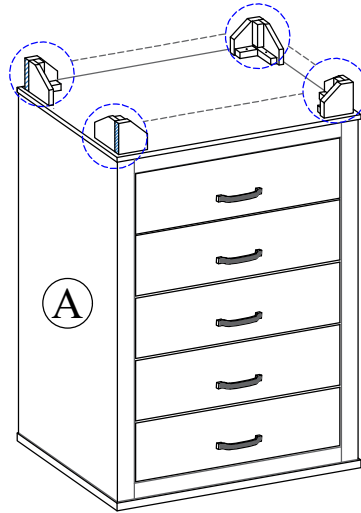
STEP 2: BOTTOM VIEW



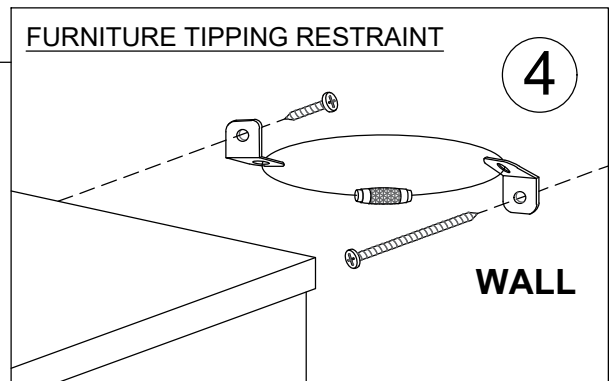
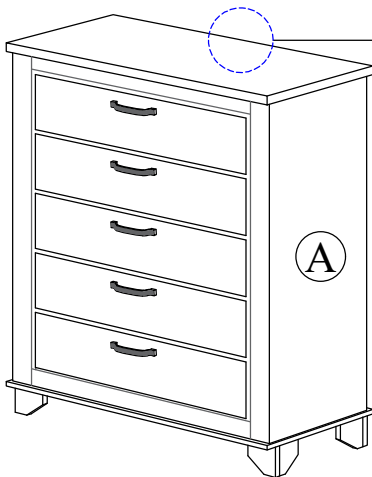
ASSEMBLY INSTRUCTION

Before you begin, please follow the assembly instruction carefully. Please follow them step by step.

STEP 3: BOTTOM VIEW



STEP 4:



FULLY ASSEMBLED



Please refer to the safety instruction stated inside the top drawer.

