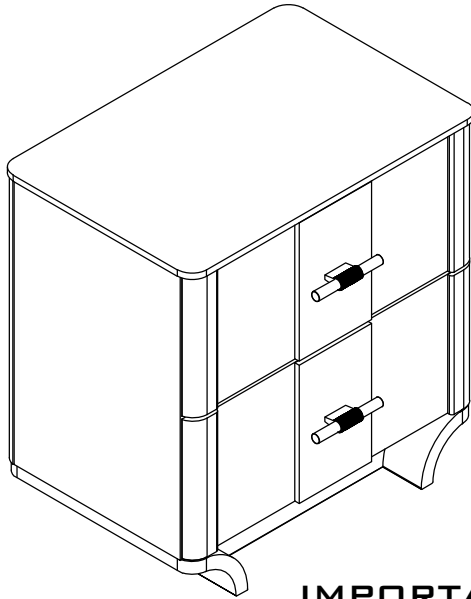


**ASSEMBLY INSTRUCTIONS FOR
GROUP NO : ABBY NS
DESCRIPTION : NIGHTSTAND**

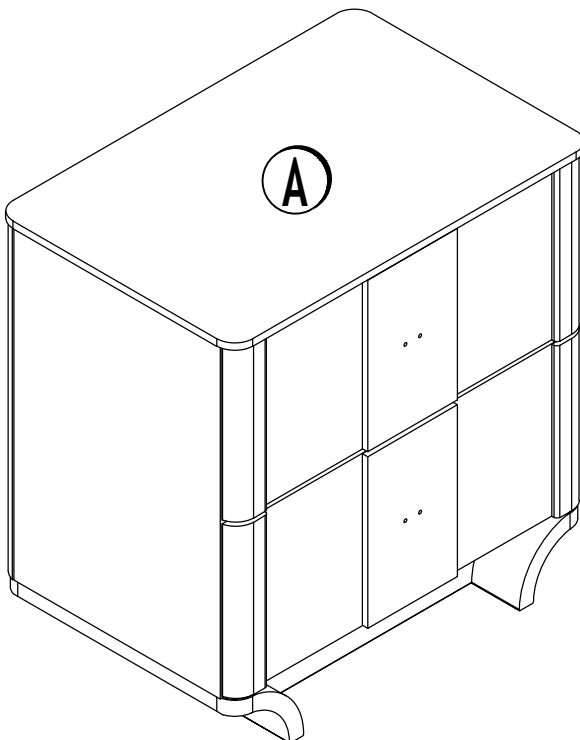
PARTS LIST

NO	DESCRIPTION	QTY
A	NIGHTSTAND	1 PC.

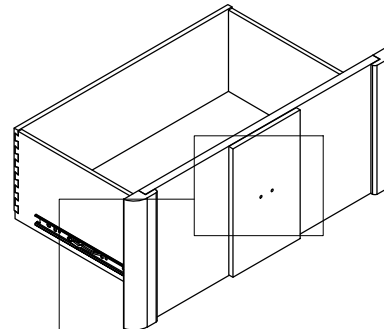


IMPORTANT NOTE :

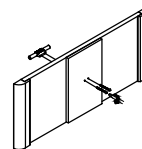
- * Place all wooden parts on a clean and smooth surface such as a rug or carpet to avoid the parts from being scratched.
- * Check to be sure that you have all parts and hardware.
- * Remove all wrapping materials, including staples & packing straps before you start to assemble.
- * Do not tighten all screws/bolts until all completely assembled.
- * Keep all hardware parts out of reach of children.



STEP 1: Assemble the handle from inside the drawer head to the front drawer head.



Take out



Attach

