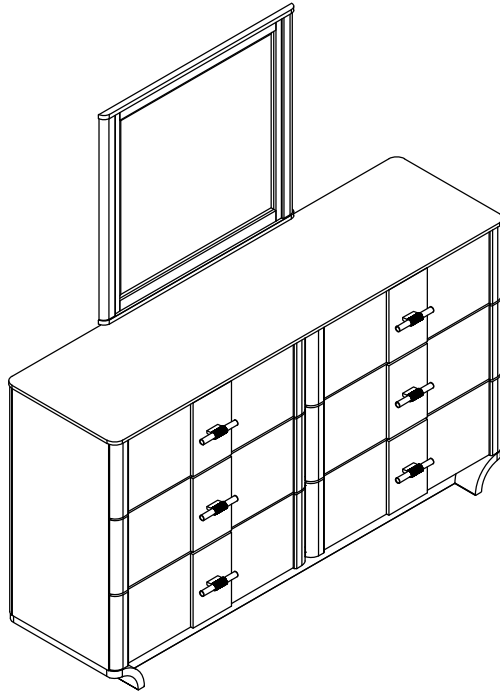


**ASSEMBLY INSTRUCTIONS FOR  
GROUP NO : ABBY MR & DR  
DESCRIPTION : MIRROR & DRESSER**

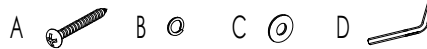


**PARTS LIST**

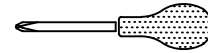
NO	DESCRIPTION	QTY
1	MIRROR	1 PC.
2	SUPPORT RAIL	2 PCS.
3	DRESSER	1PC.

**HARDWARE LIST**

NO	DESCRIPTION	SIZE	QTY
A	JCBB	M6 x 35MM	8 PCS.
B	SPRING WASHER	M8	8 PC.
C	FLAT WASHER	M8 x 18MM	8 PC.
D	ALLEN KEY	M4	1 PC.



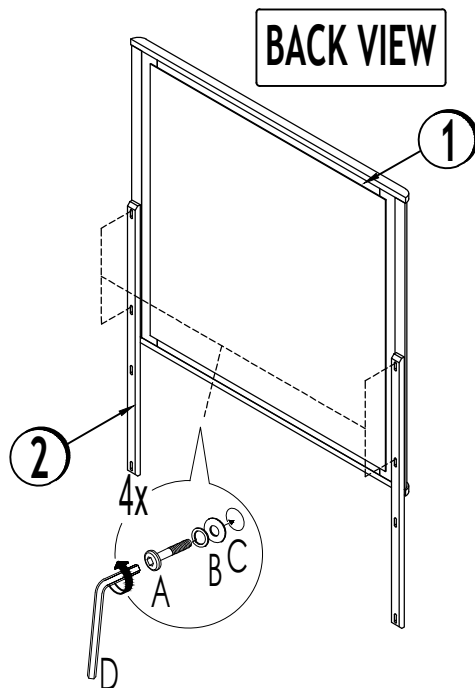
TOOL REQUIRED (NOT PROVIDED)



**IMPORTANT NOTE :**

- \* Place all wooden parts on a clean and smooth surface such as a rug or carpet to avoid the parts from being scratched.
- \* Check to be sure that you have all parts and hardware.
- \* Remove all wrapping materials, including staples & packing straps before you start to assemble.
- \* Do not tighten all screws/bolts until all completely assembled.
- \* Keep all hardware parts out of reach of children.

**STEP 1**



**STEP 2**

