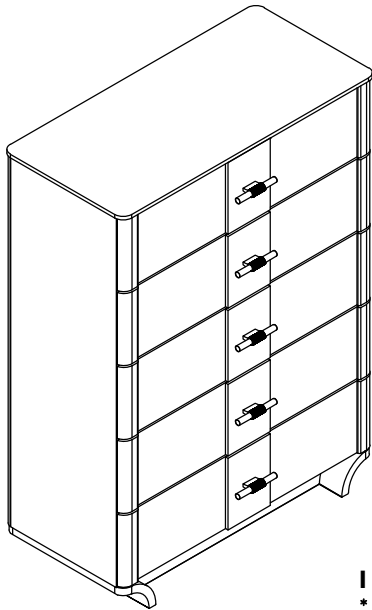



# ASSEMBLY INSTRUCTIONS FOR GROUP NO : ABBY CH DESCRIPTION : CHEST



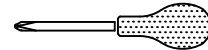
## PARTS LIST

NO	DESCRIPTION	QTY
A	CHEST	1 PC.

## HARDWARE LIST

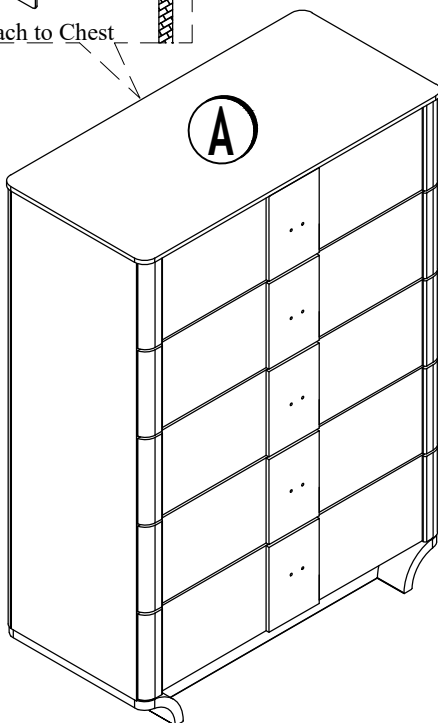
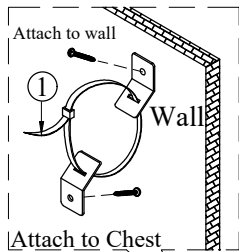
NO	DESCRIPTION	SIZE	QTY
1	TIPPING RESTRAINT		1 PC.
1			

TOOL REQUIRED (NOT PROVIDED)

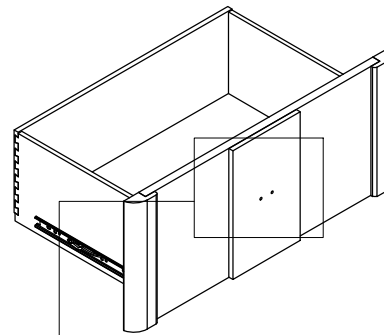


### IMPORTANT NOTE :

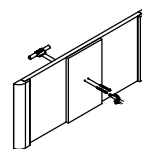
- \* Place all wooden parts on a clean and smooth surface such as a rug or carpet to avoid the parts from being scratched.
- \* Check to be sure that you have all parts and hardware.
- \* Remove all wrapping materials, including staples & packing straps before you start to assemble.
- \* Do not tighten all screws/bolts until all completely assembled.
- \* Keep all hardware parts out of reach of children.



**STEP 1:** Assemble the handle from inside the drawer head to the front drawer head.



Take out



Attach

